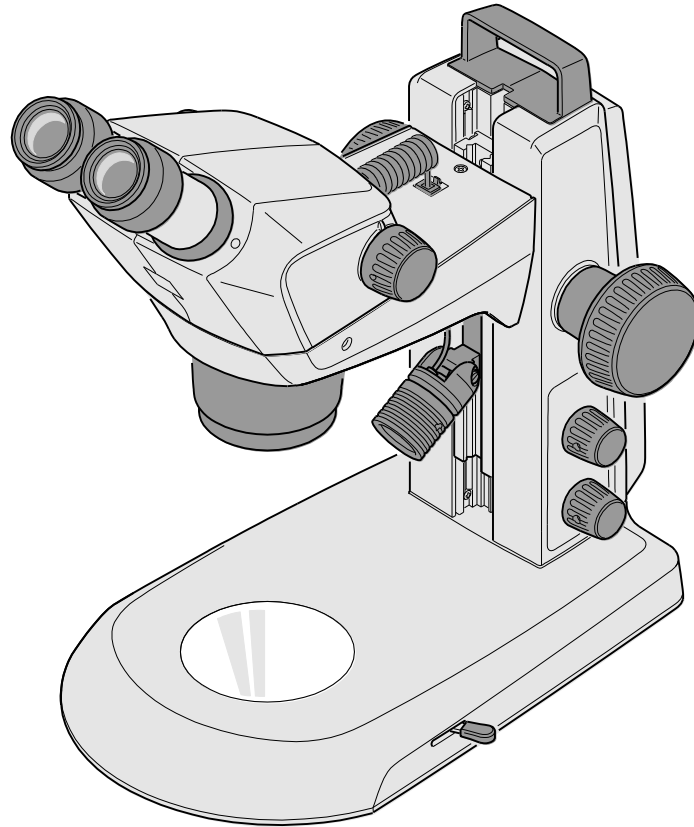


Stereo Microscope Stemi 305



Instruction Manual



Knowledge of this manual is required for operation of the device. You should therefore familiarize yourself with its contents, paying particular attention to instructions concerning safe handling of the device.

We reserve the right to make changes in the interest of technological advancement; the Instruction Manual is not subject to updating or revision.

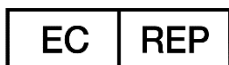
© Unless expressly authorized, dissemination and duplication of this document and commercial exploitation or communication of its contents are not permitted. Persons in contravention of this copyright shall be liable for damages.

All rights reserved in the event of a patent granted or registration of a utility patent.

All names of companies and products mentioned in this manual may be trademarks or registered trademarks. Third party products are cited for information purposes only. This does not represent approval or recommendation of these products.

ZEISS accepts no liability for the performance or use of such products.

Issued by:



Carl Zeiss Microscopy GmbH
Carl-Zeiss-Promenade 10
07745 Jena, Germany

info.microscopy.de@zeiss.com
www.zeiss.com/microscopy



Carl Zeiss Suzhou Co., Ltd.
Modern Industrial Square 3-B, No.333
XingPu Road SIP
215126 Suzhou, China

Document title: Instruction Manual Stemi 305

Document number: 435063-7144-010

Date of issue: Revision 2 – 05/2022



CONTENTS

	Page
1	INTRODUCTION 5
1.1	General information 5
1.2	Notes on instrument safety 6
1.3	Meaning of warning and information Labels 11
1.4	Warranty notes 12
1.5	Additional applicable operating manuals 12
2	DESCRIPTION..... 13
2.1	Designation and intended purpose..... 13
2.2	Lifetime 13
2.3	Controls and functional elements 14
2.4	Microscope sets and fields of application 15
2.5	Interfaces on the microscope body Stemi 305 16
2.6	System overview 17
2.7	Technical data..... 21
3	INSTALLATION 24
3.1	General information 24
3.2	Installing the stereo microscope 24
3.3	Mounting optional components 26
3.3.1	Mounting additional reflected-light illuminator..... 26
3.4	Connecting stereo microscope to the power supply 29
3.5	Switching stereo microscope ON or OFF..... 29
4	OPERATION 30
4.1	Adjusting the stereo microscope 30
4.2	Setting reflected-light illumination..... 31
4.2.1	Integrated vertical illuminator..... 31
4.2.2	Spot illuminator 32
4.2.3	Double spot illuminator..... 32
4.2.4	Ring illuminator 33
4.2.5	Controller K LED 34
4.3	Transmitted-light illuminators..... 35
4.3.1	Transmitted-light module in stand K EDU 35
4.3.2	Transmitted-light unit in stand K LAB 36
5	CARE, MAINTENANCE AND SERVICE 37
5.1	Care..... 37
5.2	Maintenance..... 38
5.2.1	Replacing the power unit 38
5.2.2	Opening the stand cover plate, stand K EDU 39
5.2.3	Opening the stand cover plate, stand K LAB..... 40

5.2.4	Wearing parts	41
5.3	Service	41
5.4	Product disposal	42
6	APPENDIX	43
6.1	List of abbreviations	43
6.2	Troubleshooting	44
6.3	List of accessories	45
6.5	List of illustrations	47
6.6	Revision History	48
6.7	Index.....	49

1 INTRODUCTION

1.1 General information

The stereo microscope Stemi 305 has been designed, manufactured and tested in compliance with the standards EN 61010-1 (IEC 61010-1) and IEC 61010-2-101 "Safety requirements for electrical equipment for measurement, control and laboratory use" as well as the EMC standards EN 61326-1 (IEC 61326-1) and EN 61326-2-6.

The device meets the requirements of the IVDR 2017/746 EU (European Regulation on in-vitro diagnostic medical devices); not valid for Stemi 305 ESD.

The device meets the requirements of the European Directive 2014/35/EU (LVD) and the European Directive 2014/30/EU (EMC); only valid for Stemi 305 ESD.











It also meets the requirements of the EC RoHS Directive 2011/65/EU, including Directive 2015/863.


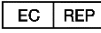




The microscope carries the **CE** mark.

The device must be disposed of in accordance with the WEEE Directive 2012/19/EU and in compliance with the national laws in force.

This Instruction Manual contains information and warnings to be observed by the operator.

The following warning and information symbols are used in this Instruction Manual:

Symbol	Explanation
	CAUTION <i>This symbol indicates a potential hazard to the user.</i>
	CAUTION <i>LED radiation! Do not stare at operating lamp.</i>
	CAUTION <i>Hot surface! Do not touch.</i>
	CAUTION <i>Emission of UV radiation!</i>
	CAUTION <i>Disconnect the instrument from the power supply before opening!</i>
	ATTENTION <i>This symbol indicates a potential hazard to the instrument or system.</i>
	NOTE <i>This symbol indicates an instruction which requires particular attention.</i>
	CE marking (Conformité Européene)
	Manufacturer
	Country of manufacture. "CC" is the country code, e.g. "DE" for Germany, "CN" for China. Date of manufacture optionally given adjacent to this symbol

Symbol	Explanation
	Importer
	Authorized representative in the European Community
	In-vitro diagnostic medical device
	Serial number
	Catalogue number
	WEEE label: Do not discard as unsorted waste. Send to separate collection facilities for recovery and recycling

1.2 Notes on instrument safety



Any serious incident that has occurred in relation to the microscope and its components shall be reported to these institutions:

- the competent authority of the Member State in which the user is established
- ZEISS
 - for users within the EU: Carl Zeiss Microscopy GmbH, Jena, Germany
 - or users outside the EU: Carl Zeiss Suzhou Co., Ltd., Suzhou, China



If it becomes apparent that the safety measures are no longer effective, the device must be taken out of service and secured against being used again unintentionally. Please contact a ZEISS service agency or the Carl Zeiss Microscopy Service to have the instrument repaired.



Do not operate the devices included in the scope of supplies in a potentially explosive atmosphere, in the presence of volatile anesthetics or flammable solvents such as alcohol, gasoline or similar substances.



The devices may only be operated by instructed persons who have been informed about the possible risks in conjunction with the use of microscopes and the fields of application in question.



The microscope is a high-precision device that may be impaired in its performance or even destroyed if handled improperly.



Before commissioning the instrument, make sure that the existing power supply is suitable for the instrument.



Make sure that the mains plug is removed from the socket before the instrument is opened.



The devices are not equipped with special equipment protecting them from corrosive, potentially infectious, toxic and radioactive or other samples that may be hazardous to health. If you handle such samples, be sure to observe all legal requirements, in particular the relevant national accident prevention regulations.



The microscope is intended to be used in a basic electromagnetic environment. The electromagnetic environment should be evaluated prior to operation of the microscope.

Use of this instrument in a dry environment, especially if synthetic materials are present (synthetic clothing, carpets, etc.), may cause electrostatic discharges that may cause erroneous results.

Do not use the microscope in proximity to sources of strong electromagnetic radiation, as these can interfere with proper operation.

The EMC performance has been verified as Class 1B for EMI and basic electromagnetic environment for EMS under the standardized configurations. There might be a degradation while an external component/accessory incorporated.

If in doubt, contact a ZEISS service representative.



The LED illuminators have been classified as belonging to LED risk group 2 acc. to DIN EN 62471:2009. Avoid looking directly into the LED light.



If the device is operated with an external cold light source (high-energy light), never look directly into the fiber optic output of the cold light source. Otherwise, there is a risk of dazzling and blindness.



Never cover the open light guide socket or the fiber optic output. There is a fire hazard!

In all cases avoid covering the open light guide socket or the fiber optic output with your hand or other parts of your body. There is a risk of burns!



Safe disconnection from the power supply is ensured exclusively by removing the mains plug. The switch on the microscope only switches into standby mode.



The microscope must be set up and operated in such a way that the connector can be easily unplugged.

Do not replace detachable mains cables by inadequately designed mains cables. Only the specified power supply lines may be used.



The microscope and the controller K LED are equipped with a desktop power unit each allowing line voltages in the range from 100 V to 240 V $\pm 10\%$, 50 – 60 Hz, without the need for changing the voltage setting on the device.



The desktop power unit meets the requirements of protection class II (with protective insulation). If its casing is damaged, put the power unit out of operation. The microscope may only be operated with the desktop power unit supplied with the instrument.



Changing the lamps on the cold light source is only admissible in accordance with the manufacturer's operating manual. If the appropriate instructions are not complied with, there is a risk of burns and explosion when changing the lamp.



The microscope is equipped with electrostatically sensitive components. When commissioning and using the microscope, as well as during care, maintenance, adjustment and service work on the microscope, the rules for handling electrostatically sensitive components must be observed and complied with.



Defective devices should not be disposed of with household waste; dispose of them in compliance with the statutory provisions.

Samples must also be disposed of appropriately in accordance with the applicable statutory provisions and internal work instructions.



Direct contact with the eyepieces can be a potential way of passing on bacterial and viral infections.

- The risk can be lowered by using personal eyepieces or eyecups. If eyepieces need to be disinfected frequently, ZEISS recommends to use the eyepieces without eyecups.
- To avoid infections, the use of personal protective equipment (PPE), e.g. gloves, for operation, cleaning, and decontamination is highly recommended. Disposable gloves can be decontaminated with alcohol for example, if necessary, or should be changed frequently to minimize the risk of contamination.



Ensure adequate ventilation in closed rooms. In case of insufficient ventilation, wear respiratory protective equipment. Remove any harmful residue. Allow the device to dry off after disinfection, particularly after disinfection of eyepieces. Do not inhale vapours. When using disinfectants, do not eat, drink or smoke. Avoid contact with eyes and skin. Remove contaminated clothing and wash before reuse.



The stereo microscope Stemi 305 incl. its original accessories may only be used for the applications described in this operating manual. The manufacturer cannot assume any liability for other applications, including those of individual modules or single components.

Changes to and maintenance on this device and on devices which are operated together with the microscope may only be performed by our service or by authorized persons. The manufacturer of the devices does not accept any liability for damage due to unauthorized interventions in the device. Moreover, such interventions invalidate all guarantee / warranty claims.



Dirt and dust may impair the performance of the device. The device must therefore be protected from such influences to the greatest possible extent and covered with the dust cover when not in use. Before covering the device, always make sure that it is definitely switched OFF. Considerable temperature fluctuations, direct exposure to sunlight and vibrations should be avoided.



Blocking or covering ventilation louvers may result in heat accumulation which may damage the device and in extreme cases even cause fire. Always keep ventilation louvers free and do not insert or allow any objects to fall into them. All electrical components and parts must be located at a distance of min. 15 cm from flammable objects and walls.



When operating a Stemi 305 cam, please refer to the appropriate operating instructions incl. the safety provisions contained in them before commissioning the device.



If it is intended to operate the Stemi 305 with an external fibre optical cold light source, please refer to the appropriate operating instructions incl. the safety provisions contained in them before commissioning the light source.



The desktop power unit must not get into contact with moisture.



For transport over an extended distance, the device must be dismantled partially and transported in its original packaging.



To connect the LED illuminators of the Stemi 305 system, six-pin modular connectors are used which are known from telecommunications (type: RJ-12).

Only the LED illuminators pertaining to the Stemi 305 may be connected to the RJ-12 sockets in the microscope body and in the stands of the Stemi 305. Only the connection cables supplied with the device may be used.

The use of commercially available cables with RJ-12 connectors or the connection of fax units, modems or other telecommunication equipment to the RJ-12 sockets of the Stemi 305 is prohibited.

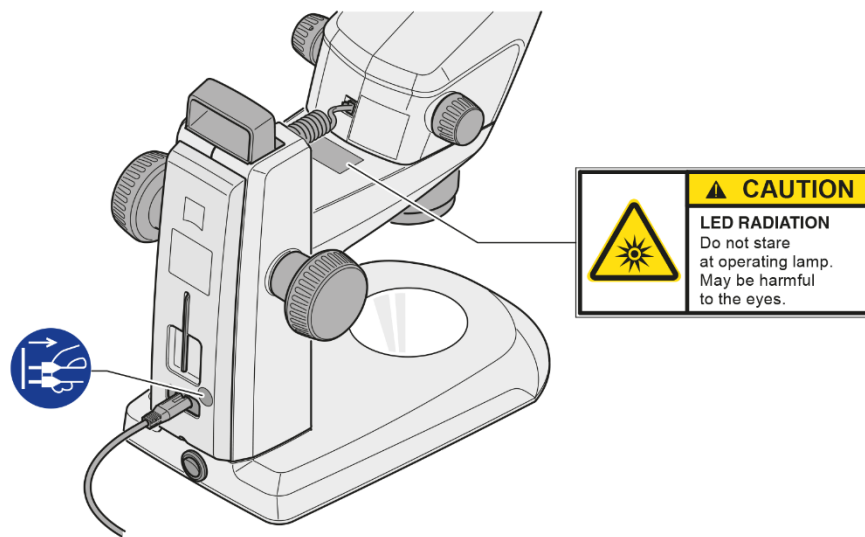
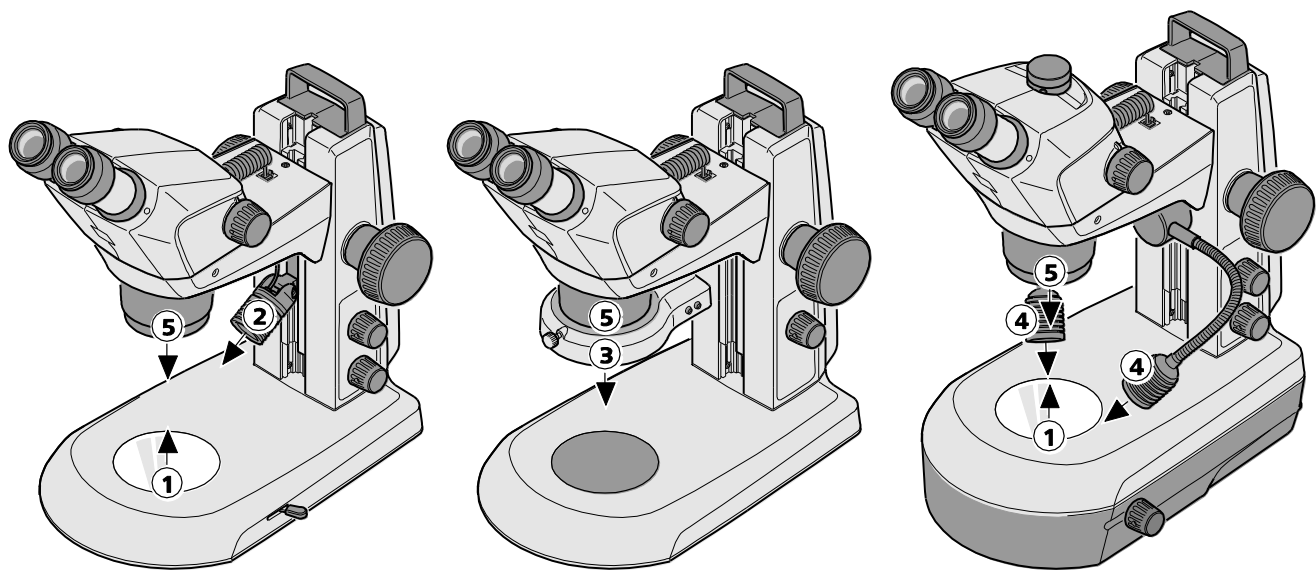





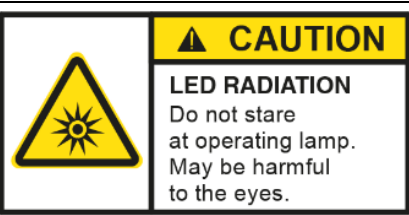

Fig. 1 Warning labels on the device



- 1 LED aperture, transmitted-light illuminators
- 2 LED aperture, spot illuminator K LED
- 3 LED aperture, ring illuminator K LED, segmentable
- 4 LED aperture, double spot illuminator K LED
- 5 LED aperture, integrated vertical illuminator

Fig. 2 Warning labels and apertures for LED radiation

1.3 Meaning of warning and information Labels

Symbol	Description
 <p>Carl Zeiss Suzhou Co.,Ltd. Modern Industrial Square 3-B, No.333, XingPu Road SIP 215126 Suzhou, China</p> <p>SN 7948888888 Stemi 305 Stand REF 437425-9999-000 max. 24 DC, 2A</p> <p>YYYY-MM-DD 50 CE</p> <p>EC REP Carl Zeiss Microscopy GmbH Carl-Zeiss-Promenade 10 07745 Jena, Germany</p>	<p>Type label Stemi 305 stand Position: rear side of the microscope stand</p>
 <p>Carl Zeiss Suzhou Co.,Ltd. Modern Industrial Square 3-B, No.333, XingPu Road SIP 215126 Suzhou, China</p> <p>SN 7948888888 Stemi 305 Body REF 437425-9999-000 max. 24 DC, 2A</p> <p>YYYY-MM-DD 50 CE IVD</p> <p>EC REP Carl Zeiss Microscopy GmbH Carl-Zeiss-Promenade 10 07745 Jena, Germany</p>	<p>Type label Stemi 305 body Position: rear side of the microscope body</p>
 <p>Carl Zeiss Suzhou Co.,Ltd. Modern Industrial Square 3-B, No.333, XingPu Road SIP 215126 Suzhou, China</p> <p>SN 7948888888 Stemi 305 Body REF 437425-9999-000 max. 24 DC, 2A</p> <p>YYYY-MM-DD 50 CE</p> <p>EC REP Carl Zeiss Microscopy GmbH Carl-Zeiss-Promenade 10 07745 Jena, Germany</p>	<p>Type label Stemi 305 ESD body Position: rear side of the microscope body</p>
 <p>CAUTION LED RADIATION Do not stare at operating lamp. May be harmful to the eyes.</p>	<p>CAUTION LED RADIATION Do not stare at operating lamp. May be harmful to the eyes</p>
 <p>EC REP</p> <p>Carl Zeiss Microscopy GmbH Carl-Zeiss-Promenade 10 07745 Jena, Germany</p>	<p>EU importer label Position: microscope packaging</p>

1.4 Warranty notes

The manufacturer guarantees that the device is free from material or manufacturing defects when delivered. Any defects which may have occurred must be reported to us immediately and steps be taken to minimize damage. If notified of such a defect, the device manufacturer is obligated to rectify it at his discretion, either by repairing the instrument or by delivering an intact replacement. No guarantee is provided for defects caused by natural wear (wearing parts in particular) and improper use.

The instrument manufacturer shall not be liable for damage caused by faulty operation, negligence or any other tampering with the device, particularly the removal or replacement of instrument components, or the use of accessories from other manufacturers. Such actions will render all warranty claims invalid.

No maintenance or repair work may be performed on the microscopes which exceed the activities specified in this Instruction Manual. Repair may only be performed by ZEISS Service or by persons specifically authorized by it. Should any malfunctions occur on the device, please first contact the Carl Zeiss Microscopy Service or, abroad, the ZEISS representative in your area.

1.5 Additional applicable operating manuals

In addition to the present Instruction Manual, the following operating manuals for optional devices should also be consulted depending on the equipment of the system:

- Operating manual "Stemi 305 cam microscope body with integrated camera"
- Operating manuals for external illuminators (e.g. for fiberoptic cold light sources, LED spot or ring illuminators)
- Operating manuals for alternative stands (Stand M LED, Stand U, Stand B, Stand SDA, Floor Stand S)
- ZEN Software Description (online version)
- Operating manual for the computer system
- Operating manual for the monitor

For optional download of the Instruction Manual Stemi 305 visit the website www.zeiss.com/Stemi305.

2 DESCRIPTION

2.1 Designation and intended purpose

Manufacturer's designation

Stemi 305:

Stemi 305

Stemi 305 trino

Stemi 305 cam (see separate instruction manual)

Stemi 305 ESD:

Stemi 305 ESD

Intended purpose

The stereo microscopes Stemi 305 are instruments for the general magnifying, spatial imaging of small objects. This includes the in vitro-examination of various biological samples including samples collected from humans or animals. The imaging provides information to further assess physiological and pathological conditions. The microscopes are intended to be used by trained professionals only.

The stereo microscope Stemi 305 ESD is an instrument for the general magnifying, spatial imaging of small objects. The microscope is designed and built for use in industrial manufacturing and quality assurance and is used for observing, preparing and sorting objects and specimens of various types and conditions. It is not intended to either directly or indirectly generate medical diagnostic results.

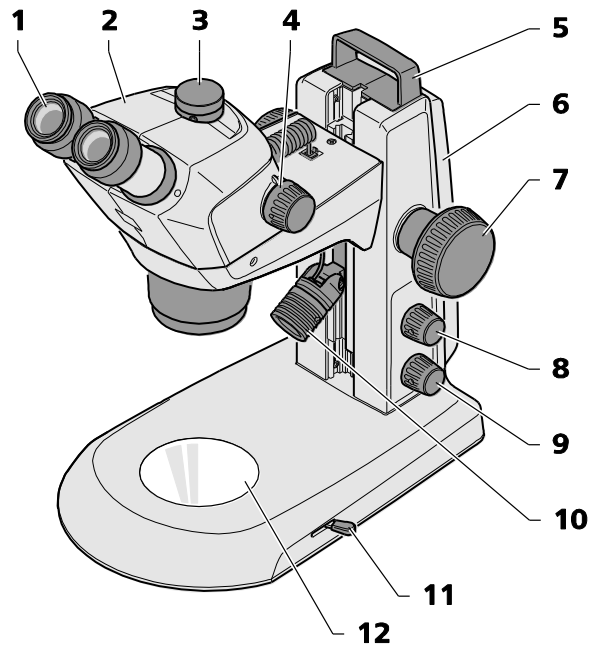
2.2 Lifetime

A microscope is an opto-electronic device. Its availability for use is significantly determined by the performed maintenance. ZEISS guarantees the ability for maintenance and repair within eight years after initial operation. This is ensured by a corresponding service and spare parts concept, thus enabling the intended purpose within this duration.

2.3 Controls and functional elements



The illustrated microscope equipment shows an example and may differ from the ones actually existing!



- | | | | |
|---|--|----|--|
| 1 | Eyepiece in eyepiece tube (eyepiece 10x/23) | 7 | Focusing drive to focus the specimen |
| 2 | Microscope body (trinocular) with installed vertical illuminator | 8 | Rotary/push-button for switching ON and OFF the illuminators or the additional reflected-light illumination and for adjusting the illumination intensity |
| 3 | Interface for cameras with C-mount connector | 9 | Rotary/push-button for switching ON and OFF the transmitted-light illumination and for adjusting the illumination intensity |
| 4 | Zoom button to adjust the magnification | 10 | Reflected-light illumination (spot illuminator K LED) |
| 5 | Handle | 11 | Lever for adjusting the transmitted-light illuminator – bright field or dark field on the stand K EDU |
| 6 | Stand (model K EDU) | 12 | Insert plate for placing the specimen |

Fig. 3 Controls and functional elements

2.4 Microscope sets and fields of application

Stemi 305 EDU:

- Stemi 305 body in stand K EDU
- integrated controllable vertical illuminator
- reflected-light spot illuminator with height and angle adjustment, zoomable
- flat transmitted-light unit for bright and dark field
- for training in tutorial rooms and training institutes

Stemi 305 LAB:

- Stemi 305 body in stand K LAB
- integrated controllable vertical illuminator
- double spot illuminator with height and angle adjustment
- reflected-light module for bright and dark field and relief contrast
- hand rest (optional)
- for separation and documentation in the laboratory

Stemi 305 MAT:

- Stemi 305 ESD body in stand K MAT
- integrated controllable vertical illuminator
- segmentable ring illuminator for reflected light
- for industrial quality assurance and manufacture
- ESD-capable thanks to its antistatic surface

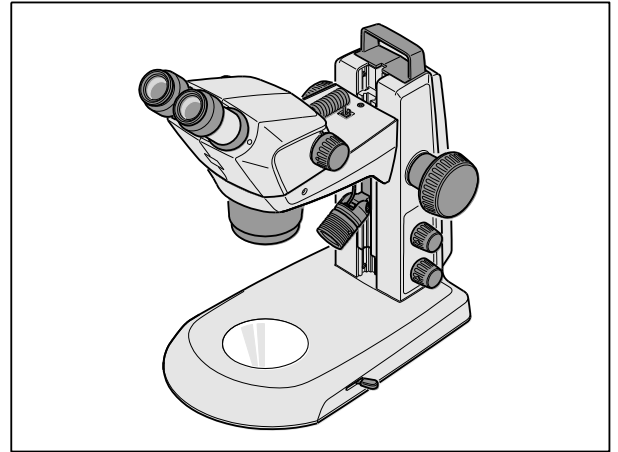


Fig. 4 Stemi 305 EDU microscope set

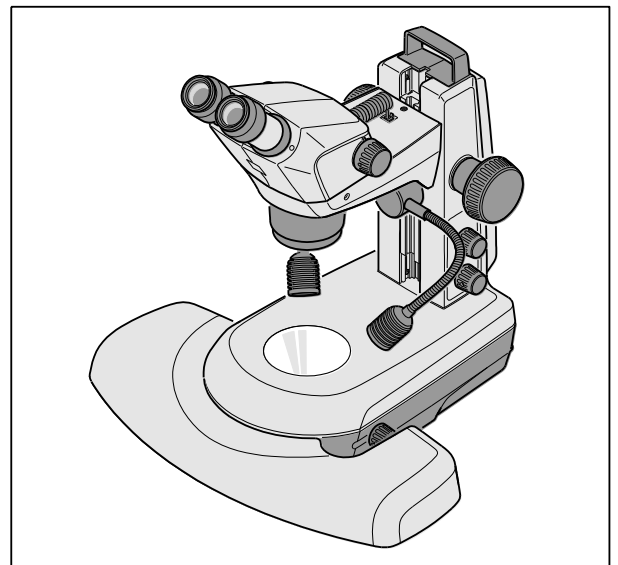


Fig. 5 Stemi 305 LAB microscope set

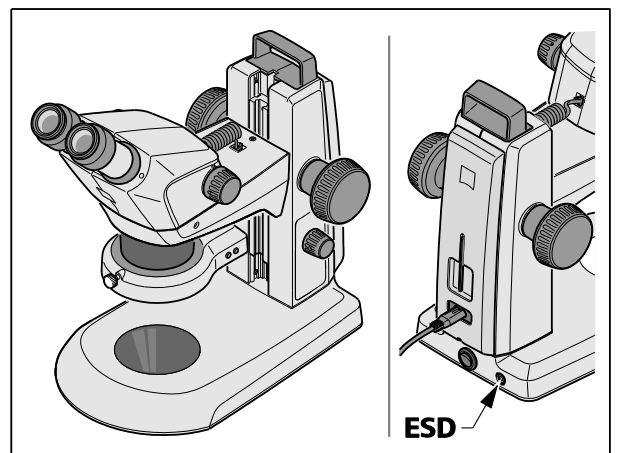


Fig. 6 Stemi 305 MAT microscope set

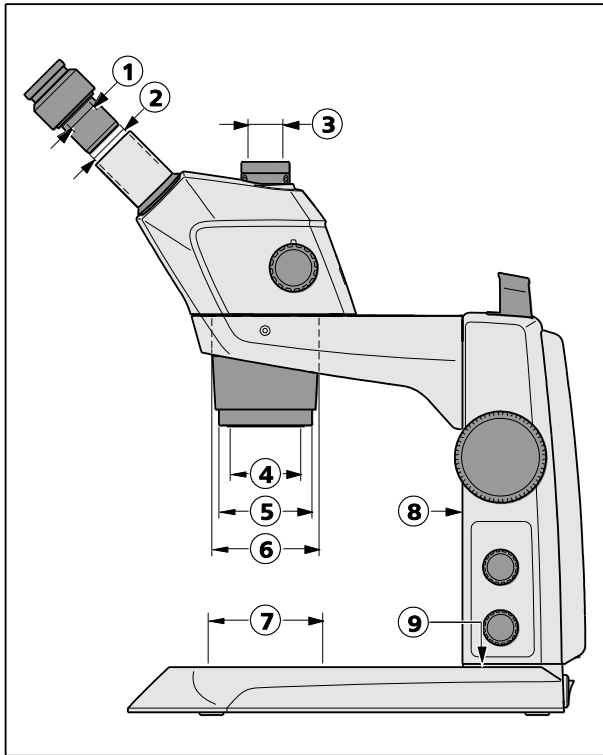


Fig. 7 Interfaces on the Stemi 305 with stand K LED (schematic diagram)

2.5 Interfaces on the microscope body Stemi 305

- 1 Optional mount for eyepiece plates
Ø 26 mm
- 2 Eyepiece tube Ø 30 mm to replace the eyepieces
- 3 Integrated camera adapter 0.5x with C-mount connector for cameras up to 2/3" (only for Stemi 305 trino)
- 4 Internal thread M52x1.0 to accommodate front optics and other accessories
- 5 Mount Ø 66 mm for ring illuminator
- 6 Mount Ø 76 mm for microscope body
- 7 Mount Ø 84 mm for tables, insert plates
- 8 Guide for mounting a reflected-light spot illuminator
- 9 M8 thread to mount retaining arms (only stand K)

Thanks to the interface Ø 76 mm, the Stemi 305 can also be used in conjunction with other stands of the modular kit of the Stereo system – and other ZEISS stereo microscopes such as e.g. the Stemi 508, may also be inserted in the stands K.

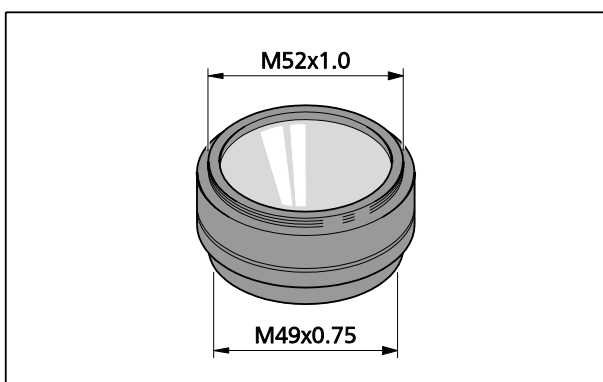
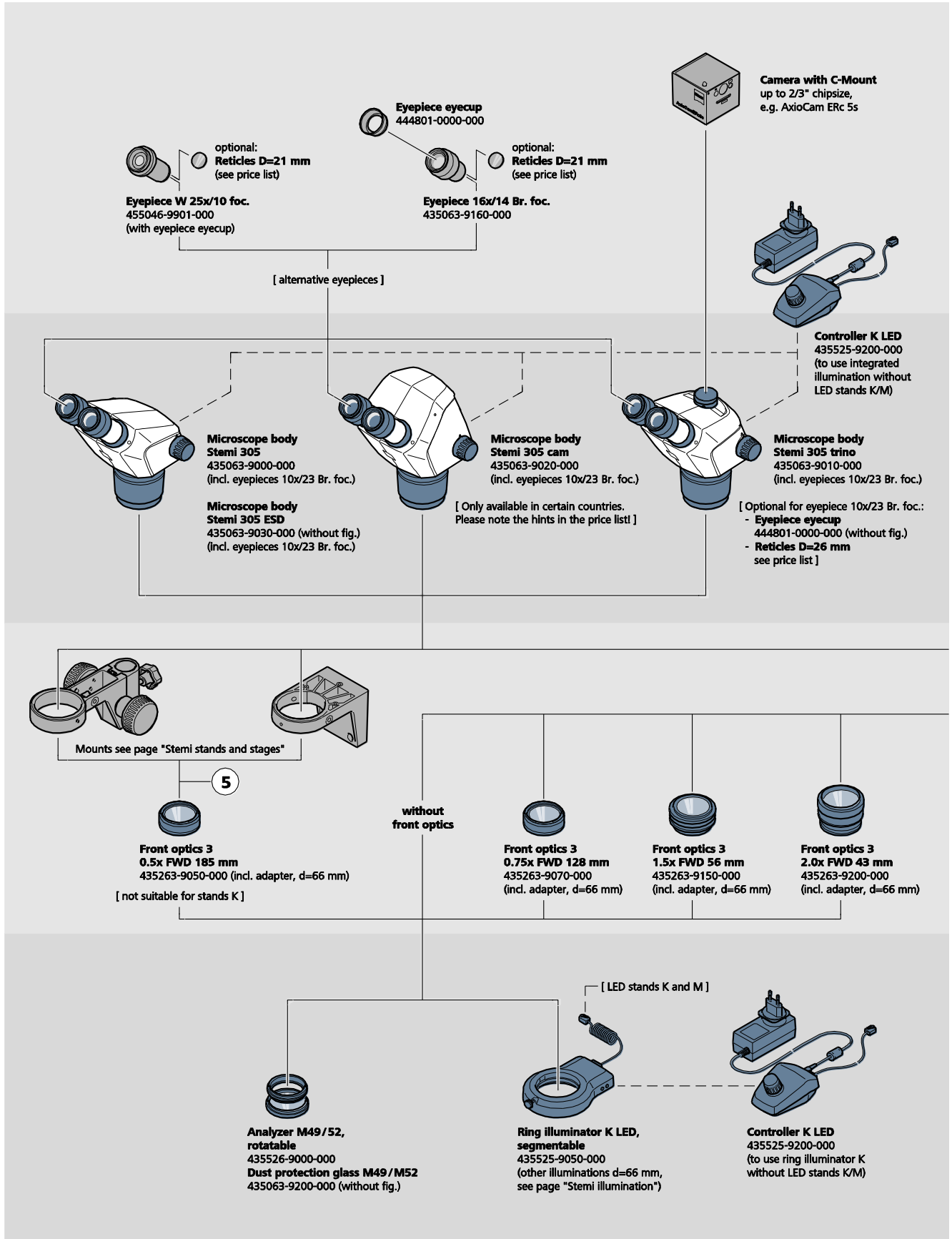


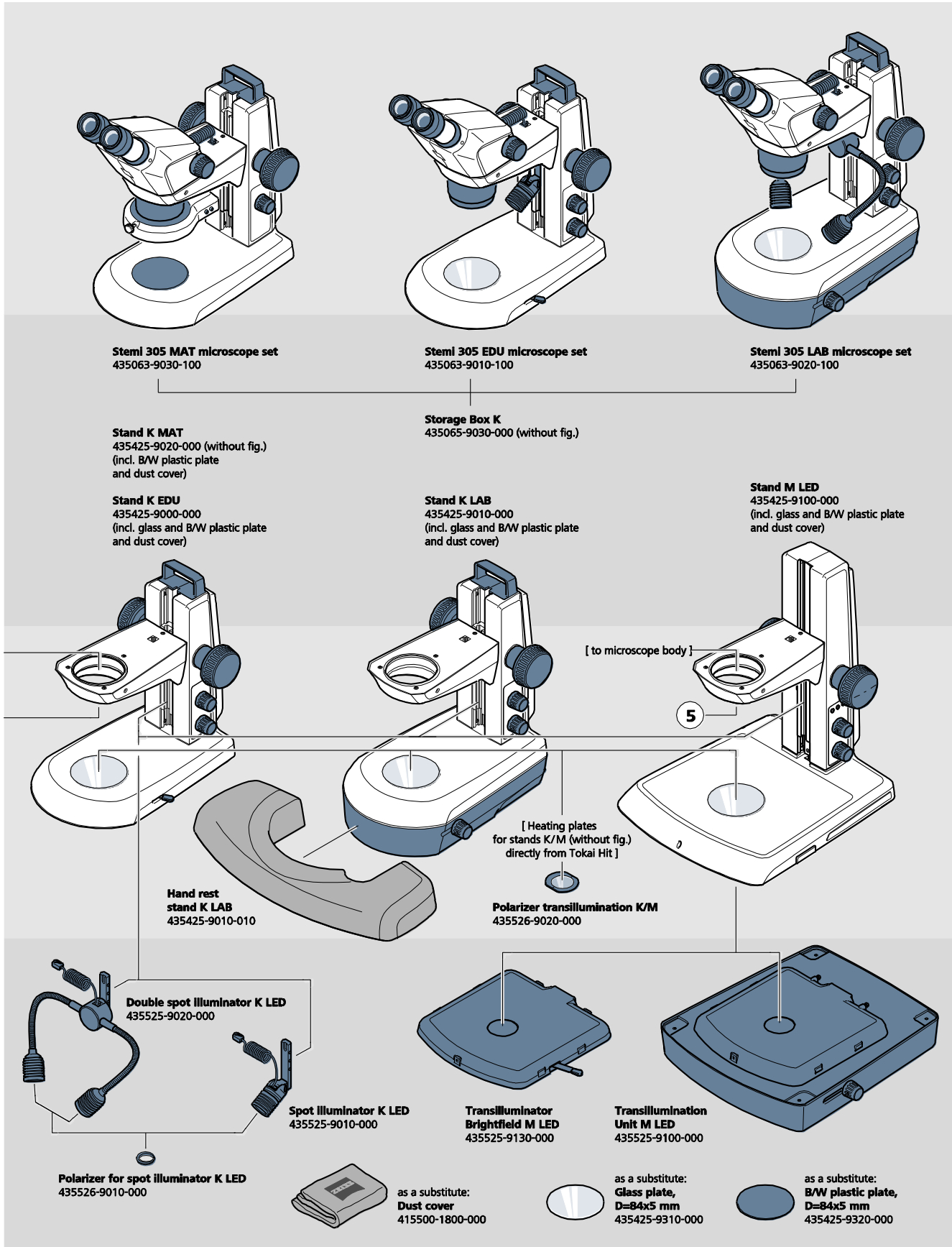
Fig. 8 Front optics, Stemi 305 (example)

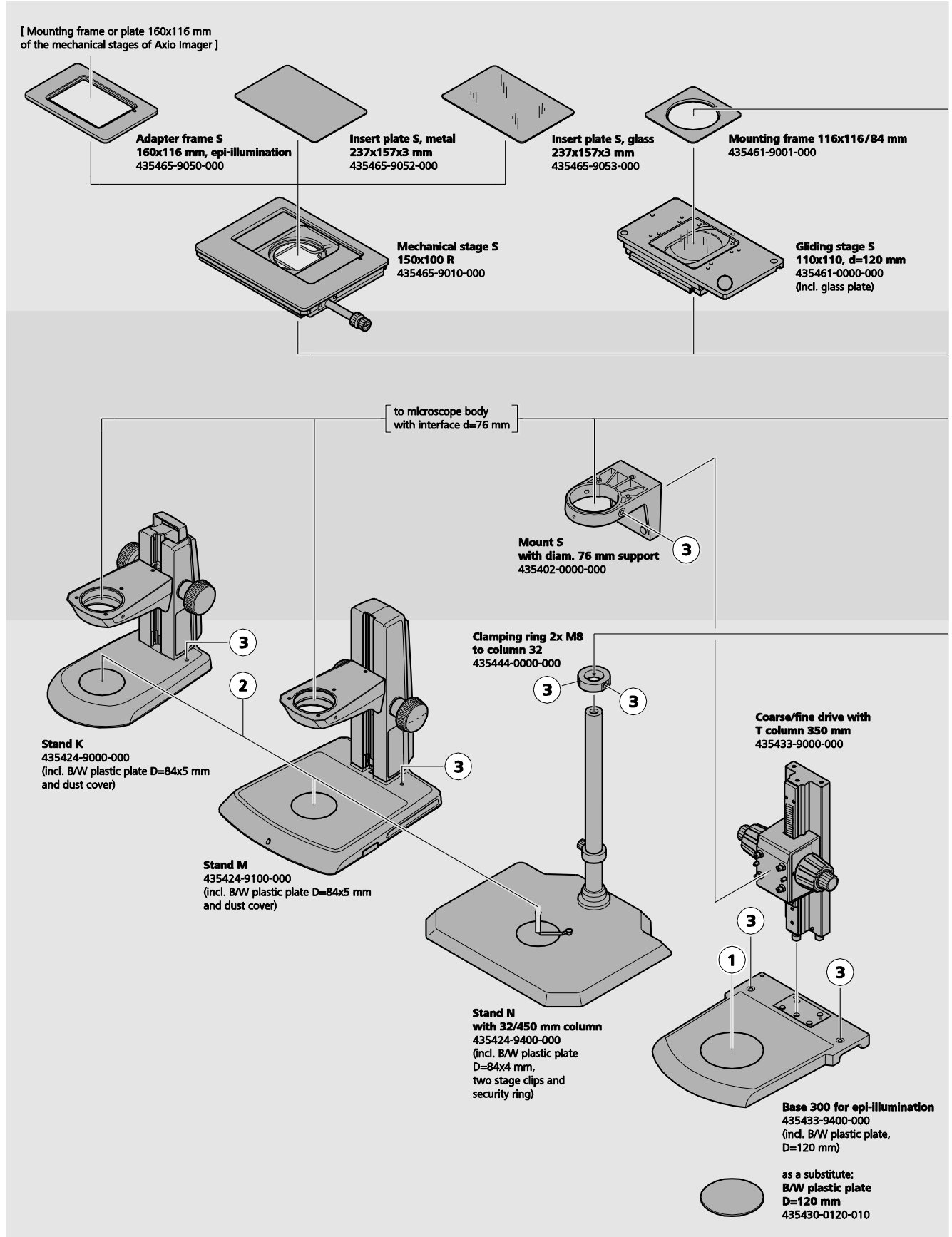
Front optics, Stemi 305

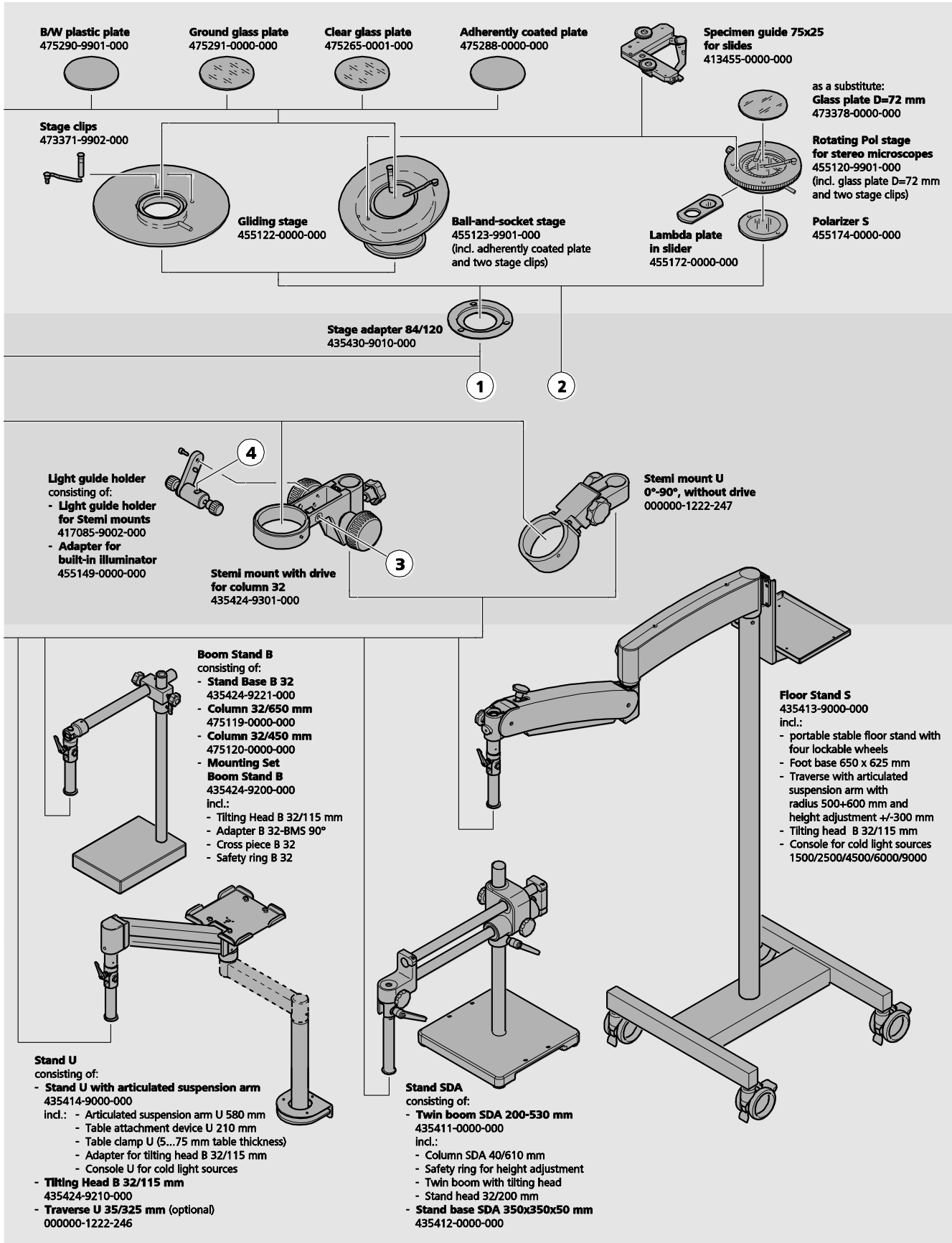
- External thread M52x1.0 for fastening in the zoom body Stemi 305
- Internal thread M49x0.75 to accommodate optical filters and analyzer for pol.

2.6 System overview





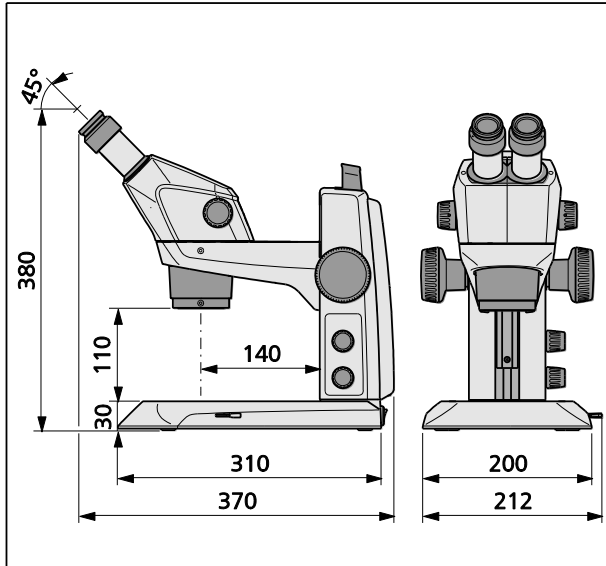




2.7 Technical data

Microscope system Stemi 305 EDU

Dimensions

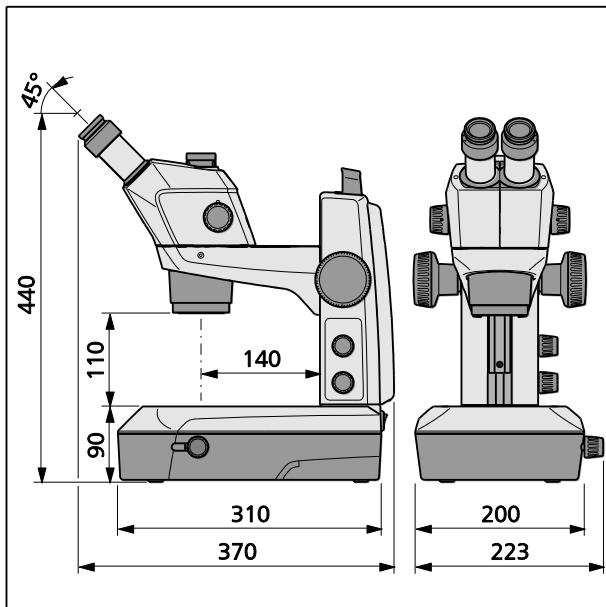


Weight

Stemi 305 in stand K EDU 4.6 kg

Microscope system Stemi 305 LAB

Dimensions



Weight

Stemi 305 in stand K LAB..... 6.2 kg

Ambient conditions**Storage**

Admissible ambient temperature +10 °C to +40 °C
 Admissible relative humidity max. 75 % at +35 °C (non-condensing)

Transport (in packaging)

Admissible ambient temperature -40 °C to +70 °C

Operation

Admissible ambient temperature +10 °C to +40 °C
 Admissible relative humidity max. 75 %
 Atmospheric pressure 800 hPa to 1060 hPa
 Pollution degree 2
 Field of application closed rooms
 Height of field of application max. 2000 m

Operating data – desktop power units, microscope and controller K LED

Safety Class II
 Type of enclosure IP 20
 Electrical safety acc. to EN 61010-1 (IEC 61010-1) and IEC 61010-2-101
 taking CSA and UL regulations into account due to certification of the power supply
 Pollution degree 2
 Overvoltage category 2
 Line voltage 100 V to 240 V ±10 %
 Due to the fact that the instrument features a multi-voltage power supply unit, change-over of
 the device voltage not required!
 Line frequency 50 Hz/60 Hz
 Input current max. 1.5 A
 Power consumption: Desktop power unit with connected microscope max. 40 VA
 Output desktop power unit for microscope
 and for Controller K LED 12 V DC, max. 2 A
 Input desktop power unit for microscope
 and for Controller K LED 100 V to 240 V, 50/60 Hz, max. 1.5 A

Optical risk group classification acc. to DIN EN 62471:2009

Overall device	LED risk group 2 (moderate risk)
Integrated vertical illumination.....	LED risk group 2 (moderate risk)
Spot illuminator K LED (reflected illumination).....	LED risk group 2 (moderate risk)
Double spot illuminator K LED (reflected illumination)	LED risk group 2 (moderate risk)
Transmitted-light unit in stand K LAB.....	LED risk group 2 (moderate risk)
Transmitted-light unit in stand K EDU	LED risk group 2 (moderate risk)
Ring illuminator K-LED	LED risk group 2 (moderate risk)

3 INSTALLATION

3.1 General information



Before installing and commissioning the device, make sure to read the **Notes on instrument safety** carefully (see section 1.2, Page 6).

The Stemi 305 with the necessary tools and optional equipment is delivered in several standard packages.

- Take all units out of the packaging and check them for completeness according to the delivery note.



For installation and/or transport of the microscope or the stand, exclusively use the handle (Fig. 3/5) provided to this effect.

- Remove transport securing devices (adhesive tapes etc.).
- Keep original packaging for a possibly extended period of storage or return of the device to the manufacturer or dispose of it appropriately.

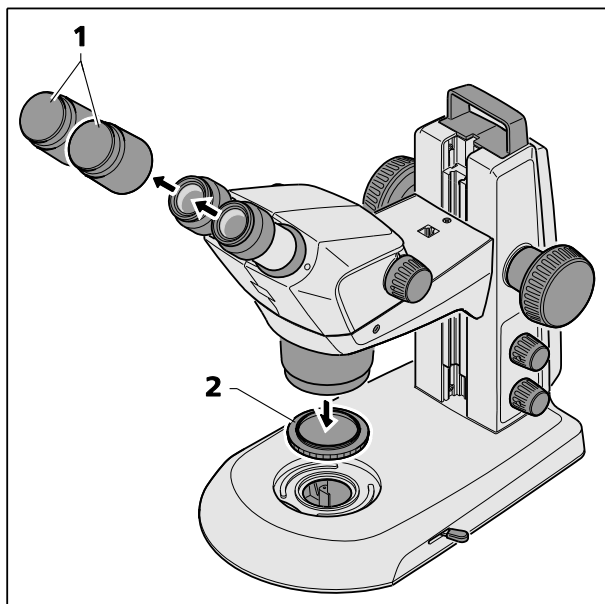


Fig. 9 Removing caps

3.2 Installing the stereo microscope

- Place stand on a level, firm support.
- If the Stemi 305 body (Fig. 10/2) has not yet been mounted, insert it in the Stemi mount (Fig. 10/4), align it and secure it using the clamping screw (Fig. 10/6).
The appropriate Allen key (Fig. 10/9) is located in the support on the back of the device.
- If the two eyepieces (Fig. 10/1) have not yet been mounted, insert them both to their stop in the eyepiece tube.
- Remove the two protective caps from the eyepieces (Fig. 9/1) and remove the protective cap (Fig. 9/2) from the objective by turning.

- Insert the connection cable (Fig. 10/3) supplied with the device into the socket on the Stemi body and in the socket on the Stemi mount.
- Insert glass plate or B/W plastic plate (Fig. 10/7) in the mount in the base of the stand. To this effect, press the glass plate or the B/W plastic plate against the spring (Fig. 10/8) and make it lock in.



Installation of an additional reflected-light illuminator has been described in section 3.3.1 on page 26.

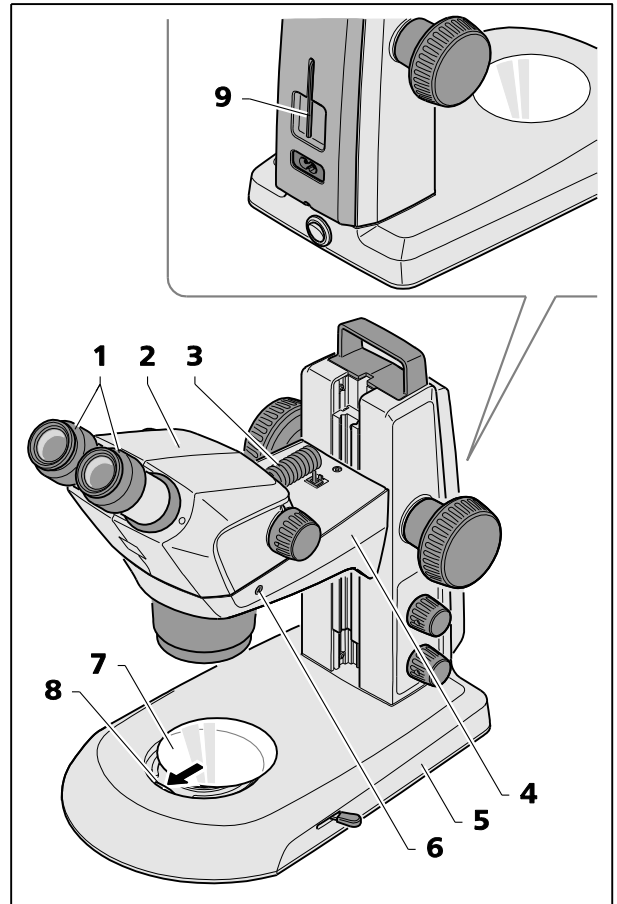


Fig. 10 Installing the stereo microscope



If necessary, the ease of motion of the focusing drive can be set as required on a case-by-case basis by adjusting the two focusing buttons (Fig. 11/1 and 2) in opposite directions.



The ease of motion must not be set so loosely that the drive moves downwards by itself. This might damage the microscope or the specimen.

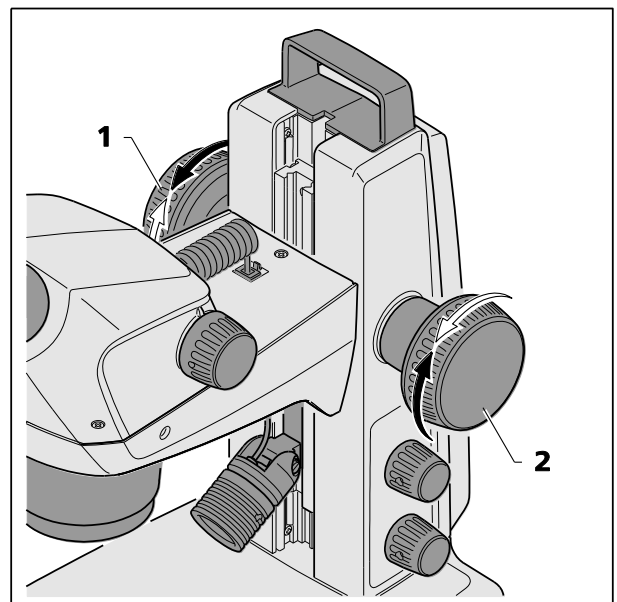


Fig. 11 Setting the ease of motion of the focusing drive

3.3 Mounting optional components

3.3.1 Mounting additional reflected-light illuminator

Various reflected-light illuminators can be used, depending on the case of application.

For fastening, defined interfaces have been provided on the microscope.

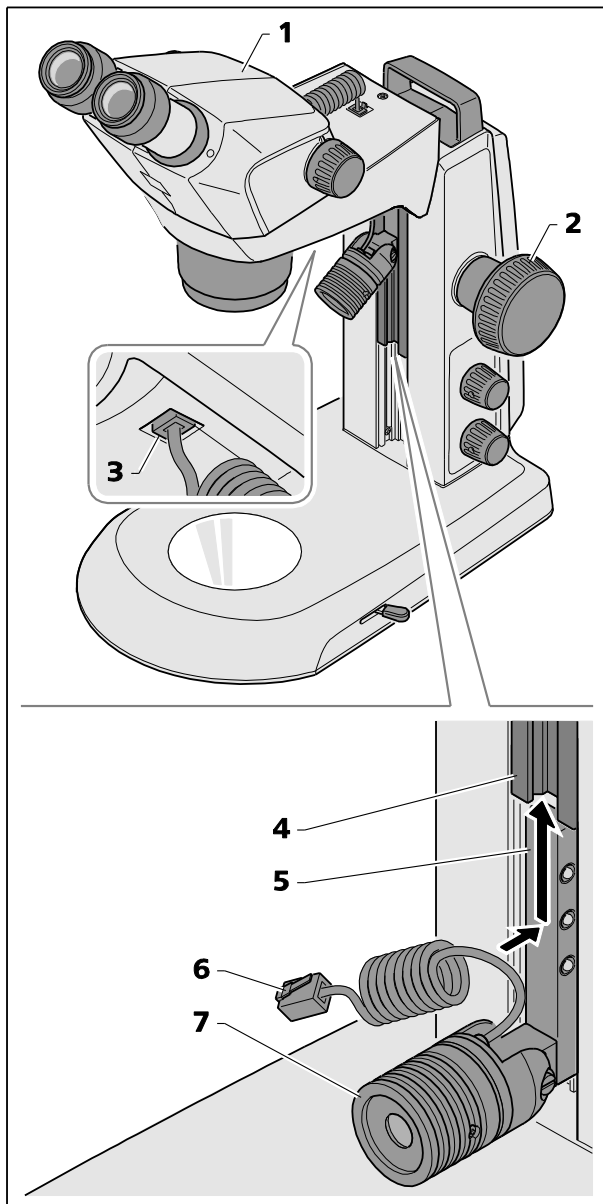


Fig. 12 Mounting spot illuminator

3.3.1.1 Mounting spot illuminator K LED or double spot illuminator K LED

- Move the microscope body (Fig. 12/1) into its uppermost position via the focusing knob (Fig. 12/2).
- Insert the spot illuminator (Fig. 12/7) in the stand by sliding the holder (Fig. 12/5) into the stand guide (Fig. 12/4) from below and push it upwards into the required position.
- Plug the connection cable (Fig. 12/6) of the spot illuminator into the lower socket of the Stemi mount (Fig. 12/3).



The double spot illuminator is mounted in an analogical manner.

3.3.1.2 Mounting ring illuminator K LED (segmentable)

Mounting ring illuminator to microscope body

- Insert the connection cable (Fig. 13/1) of the ring illuminator (Fig. 13/4) into the lower socket (Fig. 13/2) of the Stemi mount and into the socket of the ring illuminator.
- Push ring illuminator onto the microscope body (Fig. 13/3) from below, and secure using the knurled screw (Fig. 13/5).

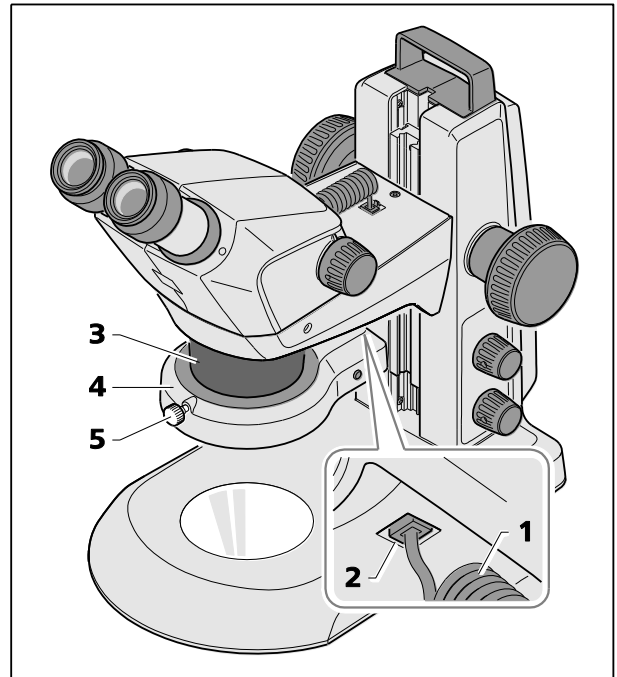


Fig. 13 Mounting ring illuminator on microscope body

Mounting ring illuminator to front optics 3

- Screw front optics 3 into the microscope body (bottom).
- Insert the slotted adapter ring (supplied with front optics) (Fig. 14/1) into the ring illuminator (Fig. 14/2) from above.
- Push the ring illuminator including the adapter up on the front optics and fix it with the clamping screw (Fig. 14/3) (see Fig. 13).



The optimum clamping action is achieved if the slit (Fig. 14/1) of the adapter is placed at approximately 90° relative to the clamping screw (Fig. 14/3) of the ring illuminator.

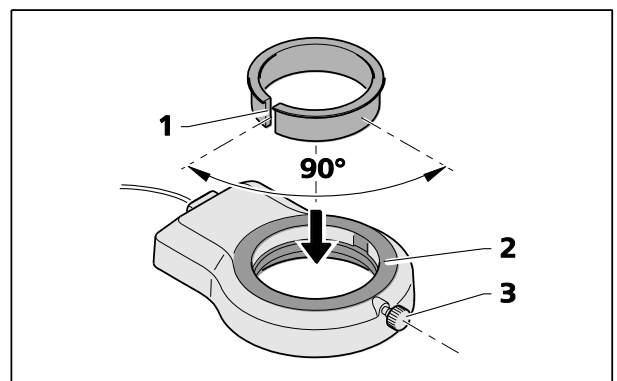


Fig. 14 Mounting ring illuminator to front optics 3

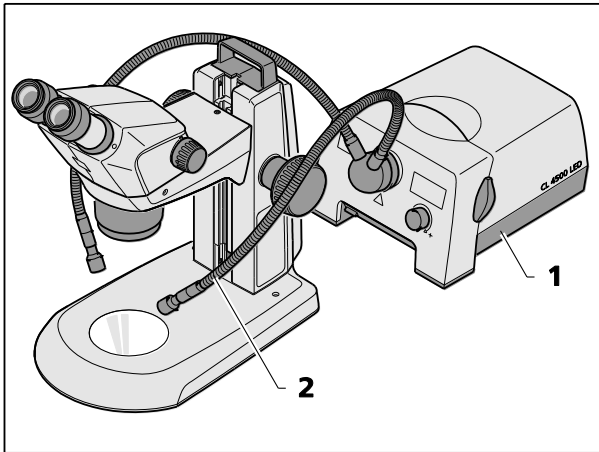


Fig. 15 Mounting external fiber-optic illumination

3.3.1.3 External fiber-optic illumination

- Switch on external fiber-optic illumination (Fig. 15/1), adjust illumination intensity and set illumination by bending the two goose necks (Fig. 15/2) so that the specimen is optimally lit.



To this effect, refer also to the separate operating instructions regarding the cold light source.

3.3.1.4 Placing reversible eyepiece cup onto the eyepiece

The eyepieces feature rubber protection rings for spectacles to avoid the spectacles being scratched. These rings may be replaced at choice by reversible eye cups (Fig. 16/1).

- To this effect remove the protection rings for spectacles (Fig. 16/2) from the eyepieces and position the eye cups (Fig. 16/1).

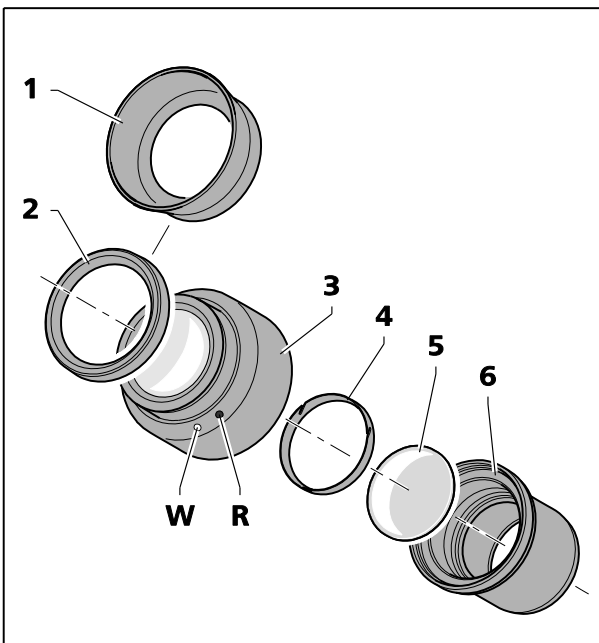


Fig. 16 Inserting the eyepiece plate

3.3.1.5 Insert the eyepiece plate into the eyepiece

The adjustable eyepieces are intended for use with eyepiece plates.

- Unscrew stop (Fig. 16/6) out of the eyepiece (Fig. 16/3).
- Pull locking ring (Fig. 16/4) out.
- Insert eyepiece plate (Fig. 16/5).
- Insert locking ring and re-fasten stop.



If eyepiece plates are inserted by the customer, it must be ensured that the writing is mirror-inverted before insertion into the eyepiece, and true to side after insertion.



Fine cotton gloves should be worn to insert or replace eyepiece plates.

The slight image offset which is due to the additional glass distance is taken into account on the diopter scale by the zero position not being indicated by the white dot (Fig. 16/W), but by a red dot (Fig. 16/R).



Eyepieces with pre-inserted eyepiece plates are available directly from ZEISS.

3.4 Connecting stereo microscope to the power supply

- Insert the mains cable (Fig. 17/2) in the mains supply socket (Fig. 17/1) of the stand.
- Connect the mains cable (Fig. 17/2) to a mains supply socket outlet.

3.5 Switching stereo microscope ON or OFF

- Use the power switch (Fig. 17/3) to switch the stereo microscope ON or OFF.

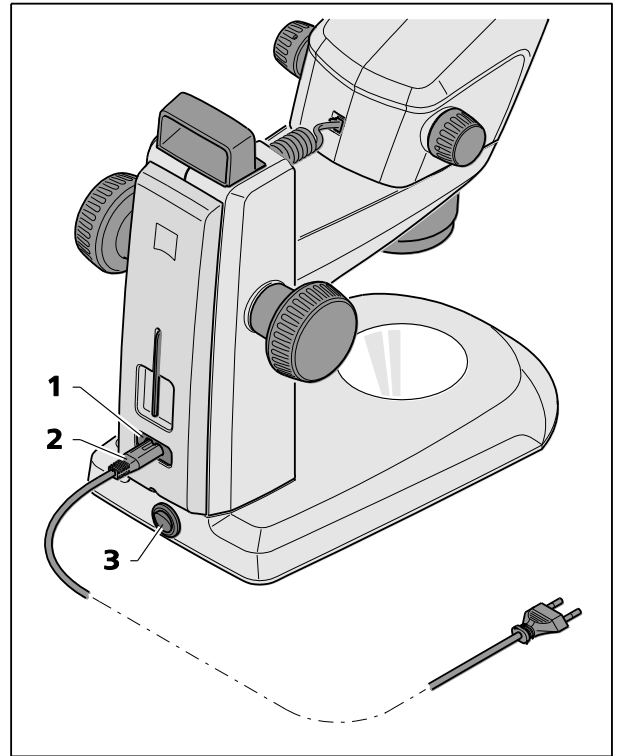


Fig. 17 Connecting the stereo microscope



Safe disconnection from the power supply is ensured exclusively by removing the mains plug. The switch on the stereo microscope only switches into standby mode.



Do not replace detachable mains cables by inadequately designed mains cables. Only the specified power supply lines may be used.

4 OPERATION

4.1 Adjusting the stereo microscope

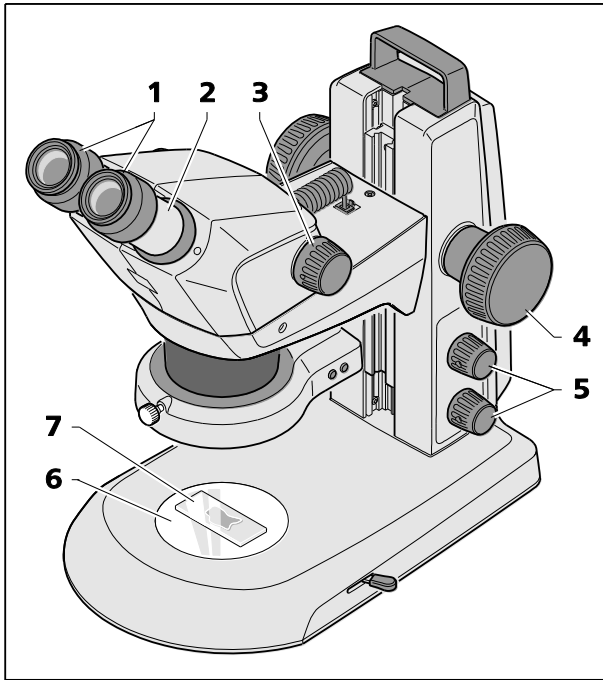


Fig. 18 Adjusting the stereo microscope

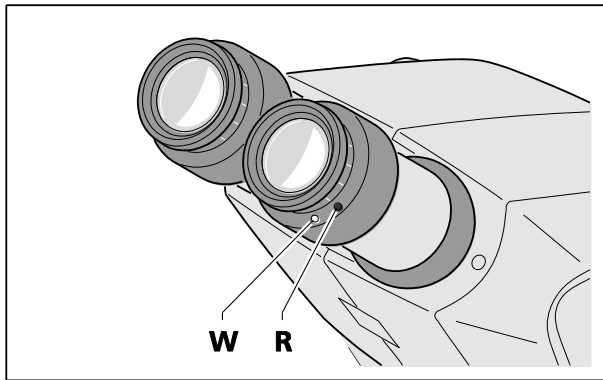


Fig. 19 Adjusting the eyepieces

The stereo microscope has been connected and switched ON.

1. Place specimen (Fig. 18/7) centrally on the glass or plastic plate (Fig. 18/6) and illuminate it (Fig. 18/5).



The functionality of the knob for the reflected-light illuminator has been described in section 4.2 on page 31.

2. Set diopter compensation on the adjustable eyepieces (Fig. 18/1) to "0".



"0" on white dot (without eyepiece plate). "0" on red dot (with eyepiece plate), see Fig. 19.



Check that the eyepieces are inserted into the tube to their stop.

3. Set individual eye distance by shifting the eyepiece tube laterally (Fig. 18/2), until only **one** complete light circle (specimen field) is visible when looking into the eyepieces with both eyes.



To this effect, a distance of approx. 2 cm must be maintained between the eye and the eyepiece.

4. Initially, set the zoom (Fig. 18/3) to the smallest magnification.
5. Focus on a small distinct detail in the center of the specimen (Fig. 18/4).
6. Adjust maximum zoom value (Fig. 18/3). Magnification will probably make the distinct detail appear blurred and no longer in the image center.

7. Refocus the observed "distinct object detail" using the focus knob until it is observed "sharply" in the object field center again (Fig. 18/4).
8. Reset to the lowest zoom value (Fig. 18/3) and correct any image blurring by adjusting the diopter compensation **on the adjustable eyepieces for each eye separately** (compensation of visual defect) (Fig. 18/1).
For this final step, **do not use** the focusing knob, Fig. 18/4.

Once the stereo microscope has been adjusted in this way, the image focus remains unchanged over the entire zoom range. This can be verified by increasing or reducing the zoom value.



After change of the observer, repeat steps 3. to 8.

4.2 Setting reflected-light illumination

4.2.1 Integrated vertical illuminator

Each Stemi 305 body features a vertical illuminator of its own.

If no second reflected-light illumination has been installed, the vertical illuminator is operated as described below:

- Press the knob (Fig. 20/1) once to switch the vertical illuminator (Fig. 20/2) alternately ON or OFF.
- Turning of the knob serves to adjust the illumination intensity.

If a second reflected-light illumination has been installed, the reflected-light illuminators are operated as described below:

- Press the knob successively to set four illumination states:
 1. Press: to switch the vertical illumination ON.
 2. Press: to switch the second reflected-light illuminator ON (vertical illumination OFF).
 3. Press: to switch both reflected-light illuminators ON.
 4. Press: to switch both reflected-light illuminators OFF.
- By turning the knob, the illumination intensity of the switched-ON reflected-light illuminator can be adjusted.

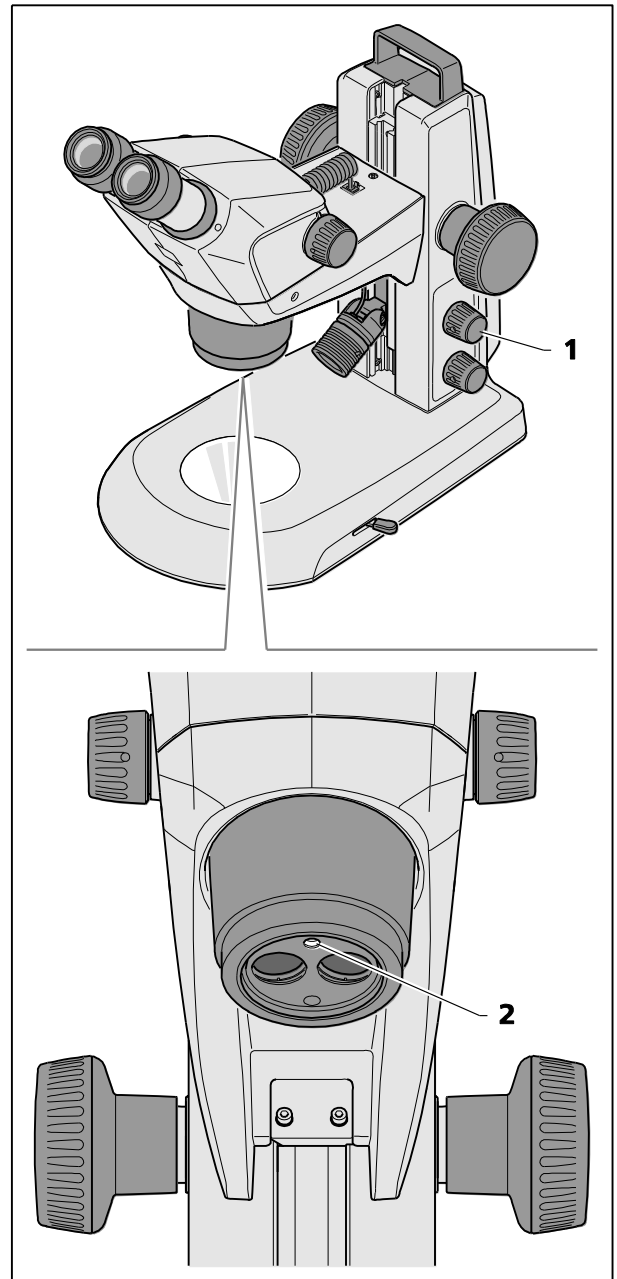


Fig. 20 Setting the vertical illuminator



When mixing both reflected-light illuminators, the intensity of the additionally installed reflected-light illuminator (spot illuminator, double-spot illuminator, ring illuminator, etc.) is adopted. In this case, only the vertical illumination is adjusted by turning the knob. Now, the required intensity of the vertical light is blended in with the reflected-light illuminator.

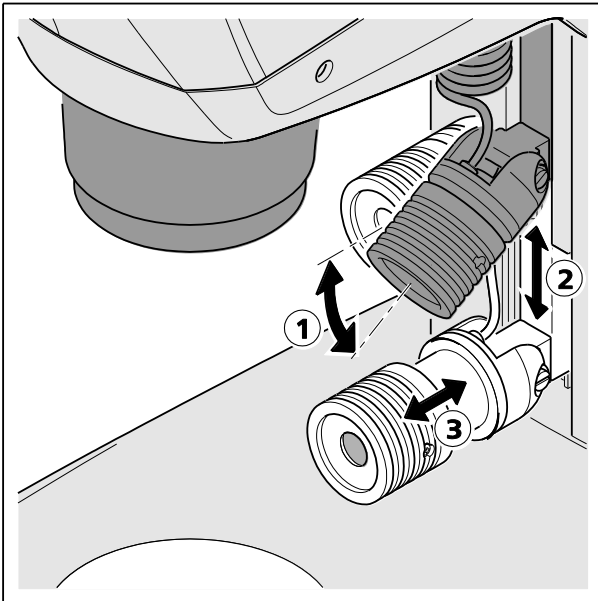


Fig. 21 Setting the spot illuminator

4.2.2 Spot illuminator

- Push spot illuminator in the guide to the required height (Fig. 21/2).



In the lower positions, an oblique light effect is created to produce cast shadows for enhancing surface structures.

- Set the angle (Fig. 21/1) via the pivot of the spot illuminator so that the object is optimally illuminated.
- Set size and brightness of the spot by axially shifting the focusing unit (Fig. 21/3) (illumination zoom).



For switching the illumination intensity ON and OFF and adjusting the illumination intensity refer to section 4.2.1, page 31.

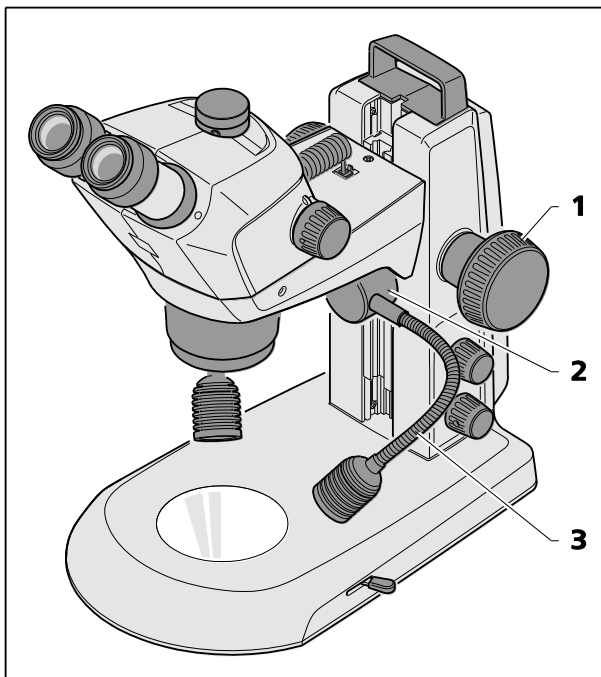


Fig. 22 Double spot illuminator

4.2.3 Double spot illuminator

- Move the microscope body to its uppermost position via the focusing knob (Fig. 22/1). Push double spot illuminator (Fig. 22/2) to the required level within the guide.
- Bend the two goose necks (Fig. 22/3) to adjust the spots so that the specimen is optimally illuminated.



For switching the illumination intensity ON and OFF and adjusting the illumination intensity refer to section 4.2.1, page 31.



Here again, an oblique light effect can be produced in the lower positions with the goose neck set horizontally.



The spot illuminator and the double spot illuminator have a thread M24 for placing polarization filters in front. The appropriate analyzer is screw-fastened in the M52x1.0 thread of the microscope body (Fig. 7/4).

By turning the spot polarizers, overexposure reflexes on the specimen can be reduced.

4.2.4 Ring illuminator

- By pressing the front button (Fig. 23/2) successively, the user can change over between four illumination states of the ring illuminator (Fig. 23/3):
 1. Press: full circle
 2. Press: semi-circle
 3. Press: quadrant
 4. Press: two quadrants (opposite each other)
- When switching the semi-circle or quadrant illumination ON, the specimen is first illuminated from the rear (from the direction of the stand column).
- By pressing the rear button once briefly (Fig. 23/1), the adjusted segment is turned forward clockwise by one quarter turn in each case.
- By pressing and keeping the rear button (Fig. 23/1) pressed for over 2 seconds, the adjusted segment is set into continuous rotation (rotation steps of 1/8 circle, 1 second per turn in each case).
- By pressing the rear button once more (Fig. 23/1), rotation is stopped and the specimen is backlit again.

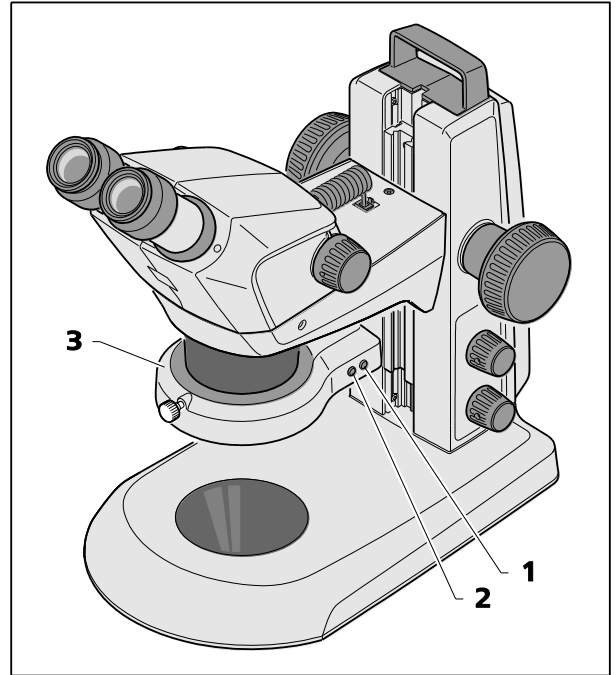


Fig. 23 Ring illuminator



For switching the illumination intensity ON and OFF and adjusting the illumination intensity refer to section 4.2.1, page 31.

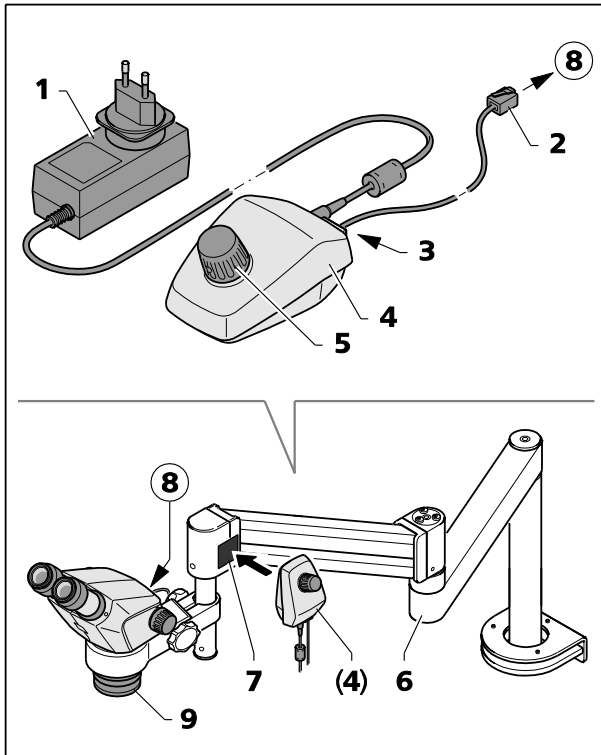


Fig. 24 Controller K LED

4.2.5 Controller K LED

The controller K LED (Fig. 24/4) is used to operate the integrated vertical illuminator of Stemi 305 microscope body, the integrated camera of "Stemi 305 cam" or the ring illuminator K LED only, when stands without LED electronics are used (such as boom stands B or SDA, floor stand S, tilting arm stand U or desktop stands K, M and N).

- Mount the stands B and U including the fastening of the Stemi 305 body to the Stemi mount as described in the operating instructions for the boom stands.
 - Screw-fasten front lens system 0.5x/185 mm (Fig. 24/9) to the microscope body.
 - When using the ring illuminator, adapt the latter to the front lens system (Fig. 24/9) using the adapter supplied with the device (ID 58 mm, OD 66 mm).
 - Secure the adhesive side of the magnetic plate (Fig. 24/7) to the swivel arm stand.
 - Plug the connection cable supplied with the device (1 m long) (Fig. 24/2) into the socket (Fig. 24/8) on the microscope body or the ring illuminator and into the socket (Fig. 24/3) on the back of the Controller K LED (Fig. 24/4).
- Place Controller K LED (Fig. 24/4) next to the magnetic plate (Fig. 24/7).
 - Connect Controller K LED to the power supply using the power unit (Fig. 24/1).
 - Align swivel arm stand (Fig. 24/6) to enable an ergonomic working position.
 - Turn the knob (Fig. 24/5) on the Controller K to switch the vertical illuminator (or the ring illuminator) ON and adjust illumination intensity by turning the knob.
 - Place specimen in the illuminated specimen field.
 - Set the stereo microscope to its initial setting, see section 4.1 on page 30.

4.3 Transmitted-light illuminators

4.3.1 Transmitted-light module in stand K EDU

- Switch transmitted-light illumination ON by pressing the lower knob (Fig. 25/2).
- With the transmitted light ON, turn this knob to adjust the illumination intensity.
- Change over by adjusting the lever (Fig. 25/3) between the bright field and the dark field illumination.
 - Front position: Dark field (DF)
 - Rear position: Bright field (BF)



Press the upper knob (Fig. 25/1) to blend in reflected light (see section 4.2 on page 31).

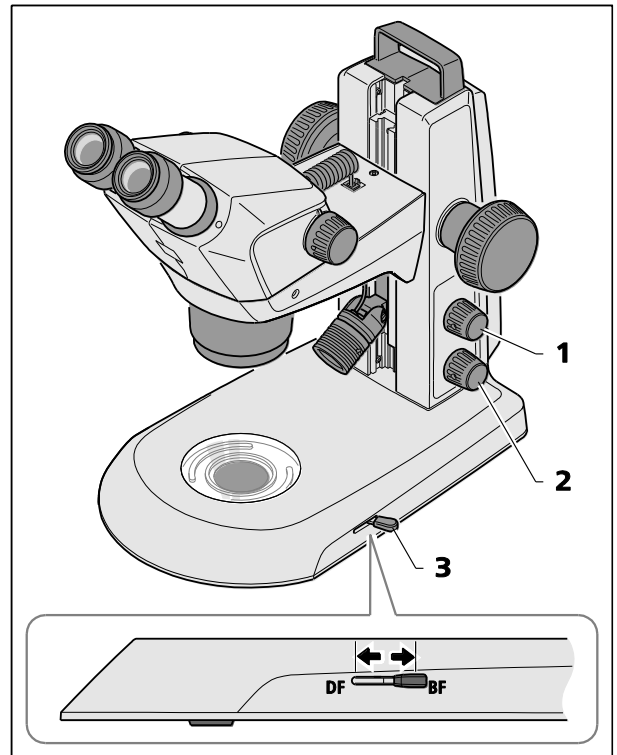


Fig. 25 Transmitted-light module in stand K EDU

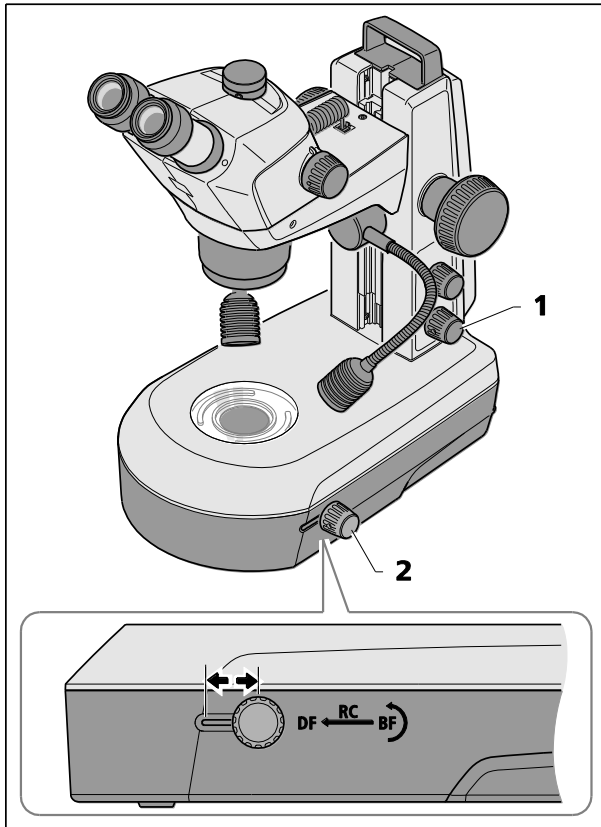


Fig. 26 Transmitted-light unit in stand K LAB

4.3.2 Transmitted-light unit in stand K LAB

- Switch transmitted-light illumination ON by pressing the lower knob (Fig. 26/1).
- With the transmitted light ON, turn this knob to adjust the illumination intensity.
- Adjust the bright field (BF) by pushing the sliding knob (Fig. 26/2) into its rear position (BF).
- Turn the sliding knob (Fig. 26/2) to swing the clear or diffuse mirror into position or to adjust the inclination angle.



Clear mirror for high-contrast bright field, diffuse mirror for homogenous bright field.

- Change over to dark field illumination (DF) by pushing the sliding knob (Fig. 26/2) into its front position.
- Turn the mirror until the specimen structures are brightly lit against the dark background.



By pushing the sliding knob (Fig. 26/2) into a central position and by tilting the mirror, oblique light effects (RC) are created which are very well suited to display non-coloured specimens.

5 CARE, MAINTENANCE AND SERVICE

5.1 Care

Care of the devices is restricted to the following operations:



The devices are not equipped with special equipment protecting them from corrosive, potentially infectious, toxic and radioactive or other samples that may be hazardous to health. If you handle such samples, be sure to observe all legal requirements, in particular the relevant national accident prevention regulations.



- Remove contamination in accordance with the national accident prevention regulations.
- Disconnect the devices from the mains power after use. Protect the devices from dust and moisture by using a suitable cover (protective device cover).
- Never expose the devices to inadmissible climate conditions (high humidity and temperature).



Disconnect the devices from the mains power before cleaning. Make sure, that no cleaning fluids penetrate into the device.

Tenacious impurities on glass surfaces such as fingerprints and traces of grease, are best removed using a cotton wool bud wound around a round wooden stick and very little distilled water or non-aggressive solvent:

- Distilled water: Clean glass surface with the slightly moistened cotton wool bud from the center to the edge, using circular movements.
- Cleaning solution for optics, consisting of 15 % isopropanol and 85 % surgical spirit (gasoline): Clean glass surface by the slightly moistened cotton wool bud from the center to the edge, using circular movements.
- Remove dust from optical surfaces using a brush with natural bristles or blow using rubber bellows (air blower).
- Clean plastic parts using commercially available cleaning products (no solvents!). Tenacious impurities can be treated carefully with benzine or white spirit.
- All labels on the components and on the desktop power unit may only be cleaned using a dry cotton cloth.

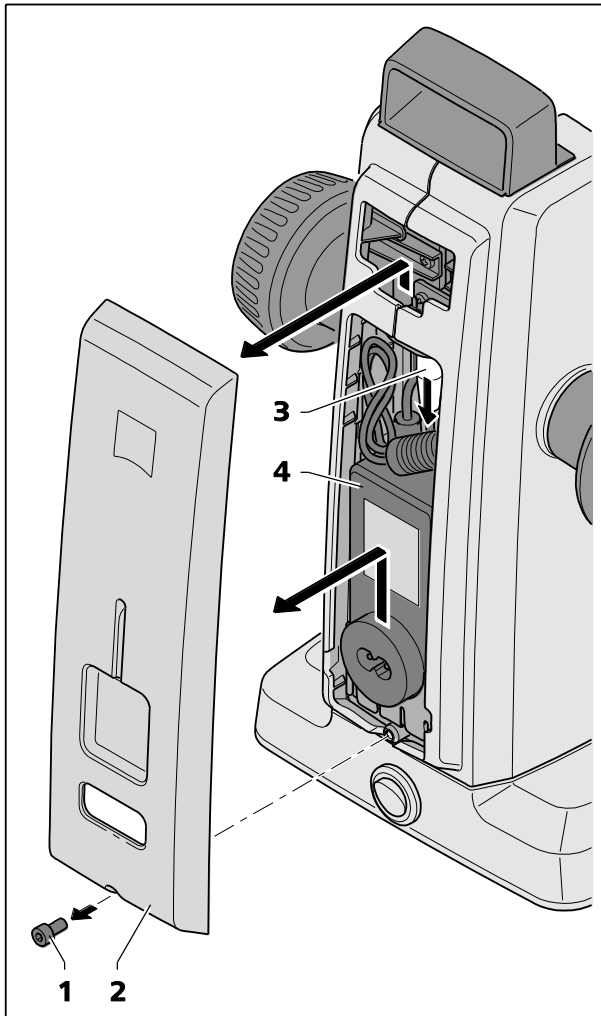


Fig. 27 Changing the power unit

5.2 Maintenance

5.2.1 Replacing the power unit



Only the desktop power unit specified by the manufacturer may be used.



Make sure that the mains plug is removed from the socket before the instrument is opened.

- Remove the mains plug of the power cable from the socket.
- Remove the power cable from the back of the device.
- Use an Allen key to release the screw (Fig. 27/1) on the underside of the housing cover.
- Pull off housing cover (Fig. 27/2) slightly at the bottom, then press it upwards.
- Release the plug (Fig. 27/3) and remove the faulty desktop power unit (Fig. 27/4).
- Insert the new desktop power unit and connect the plug.
- Press the upper part of the housing cover into place and push housing cover down.
- Secure housing cover by means of the screw.
- Insert the power cable on the back of the device.
- Insert the mains plug into a mains supply socket.

5.2.2 Opening the stand cover plate, stand K EDU

The stand cover plate (Fig. 28/1) may be removed for cleaning or to remove any foreign matter which might fall in inadvertently.

- To this effect, release the three recessed head screws (Fig. 28/2), lift off the stand cover plate (Fig. 28/1) carefully and then put it aside.
- Make sure that the cable is not disconnected from the stand cover plate (Fig. 28/1).



To clean the LED board, use a soft lintfree cloth, a cotton wool bud wound around a round wooden stick or a brush with natural bristles, possibly moistened slightly in distilled water.

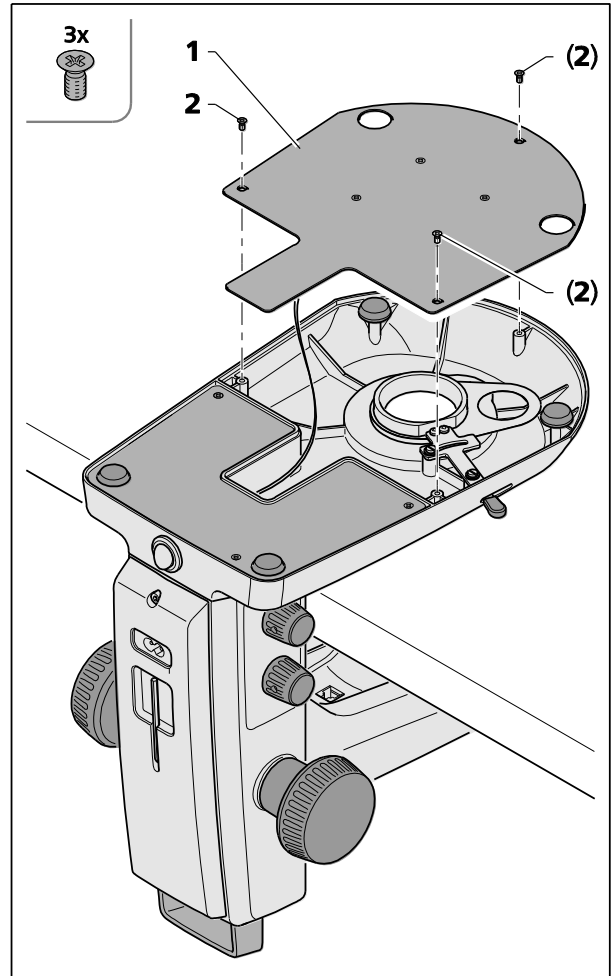


Fig. 28 Opening the stand cover plate,
stand K EDU

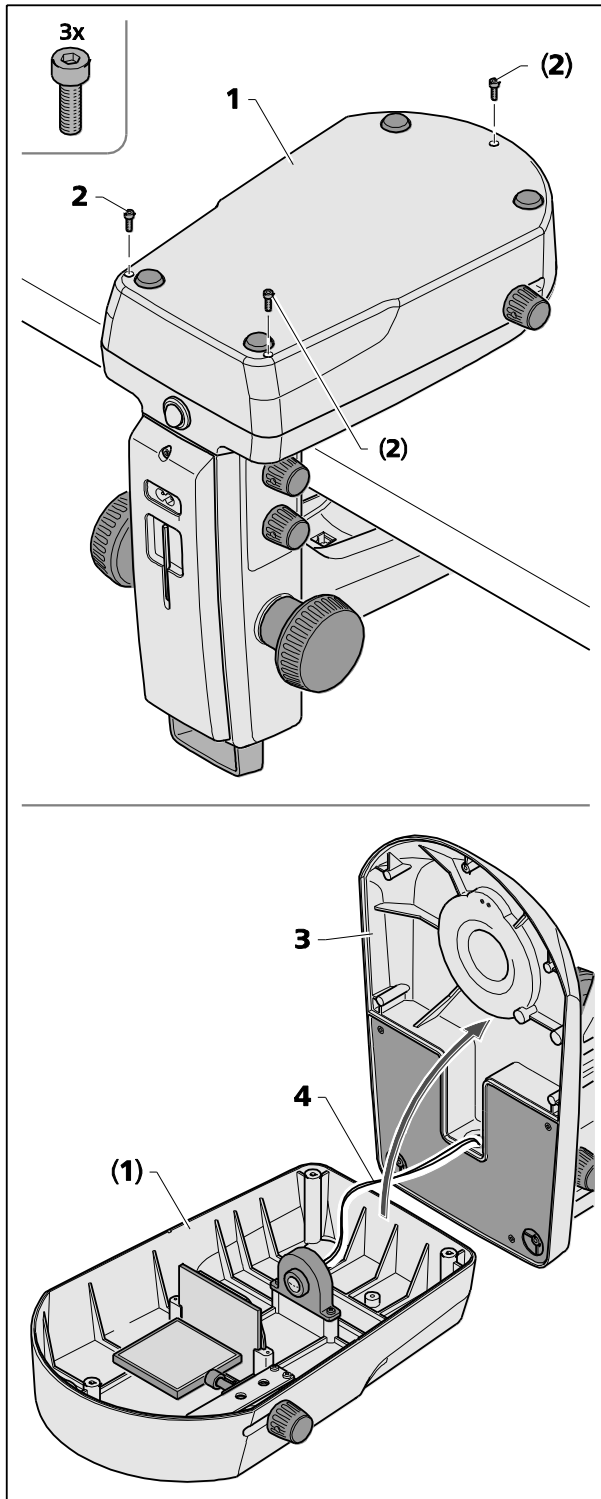


Fig. 29 Opening the stand cover plate,
stand K LAB

5.2.3 Opening the stand cover plate, stand K LAB

The transmitted-light base (Fig. 29/1) can be removed from the stand cover plate (Fig. 29/3) for cleaning or for removal of any foreign matter which might have fallen in inadvertently.

- Release the three screws (Fig. 29/2) from the stand cover plate (Fig. 29/1) using an Allen key SW 2.5 and put them aside.
- Carefully lift the stand cover plate (Fig. 29/3) off the transmitted-light base (Fig. 29/1) and put the stand aside.



Make sure that the cable (Fig. 29/4) is not disconnected from the transmitted-light base (Fig. 29/1).



To clean the LED, the optical elements and the mirror, use a soft lintfree cloth, a cotton wool bud wound around a round wooden stick or a natural hair brush, possibly moistened slightly in distilled water.

5.2.4 Wearing parts

The following wearing parts can be ordered directly from ZEISS:

Description	Order No.	Remark
Transparent glass plate, d = 84 mm	435425-9310-000	
Plastic plate B/W, d = 84 mm	435425-9321-000	
Eyepiece PL 16x/16 Br foc.	444054-9000-000	
Eyepiece 10x/23 Br. foc. Stemi 305	000000-0577-076	
Eyepiece cup	444801-0000-000	Includes a single eyecup (required 2x for a pair of eyepieces)
Eyepiece 16x/14 Br foc.	435063-9160-000	
Eyepiece W 25x/10 foc.	455046-9901-000	
Stemi 305/508 Set of Miscellanea: - 1x Allen key, SW 3 - 2x spiral cable RJ 12 - 1x cable RJ 12, length 1m (for controler K LED) - 2x cover cap for eyepiece - 1x cover cap for zoom body Stemi 305 - 1x cover cap for c-mount - 2x rubber ring for eyepiece (protection for spectacles) - 1x M6 screw for microscope mount of stands K/M - 2x M6 screw for c-mount - 1x M4x8 screw for rear panel of stands K/M	000000-0577-092	
Protective dust cover, stand K	415500-1800-000	

5.3 Service

All interventions in mechanical, optical and electronic internal stereo microscope components may only be performed by Carl Zeiss Service or by specifically **authorized** qualified staff.

To ensure your stereo microscope is optimally set and also operates correctly over an extended period of time, we recommend that you conclude a service/maintenance contract with ZEISS.

For reordering or in case of service, contact your nearest regional ZEISS representative.

5.4 Product disposal

The product has been developed, tested and manufactured in accordance with the applicable environmental regulations and directives of the European Union.

The product and the relevant accessories meet the requirements of EC RoHS Directive 2011/65/EU, including Directive 2015/863, and the Directive 2012/19/EU (WEEE).

The product contains electronic components which must not be disposed of in household waste. Rather, they have to be disposed of as specified in WEEE Directive 2012/19/EU and in compliance with the national laws in force.

Please contact your Carl Zeiss dealership or customer service organization if you need more information on disposal and recycling.

6 APPENDIX

6.1 List of abbreviations

BF	Bright field
B/W	Black/white
DIN	Deutsche Industrie-Norm (German Industrial Standard)
DF	Dark field
EN	Europäische Norm (European Standard)
ESD	Electrostatic discharge
IEC	International Electrotechnical Commission
IP	Internal Protection (Type of enclosure)
IvD	In-vitro diagnostics
LED	Light Emitting Diode
RC	Relief contrast (oblique light)
UV	Ultra-violet

6.2 Troubleshooting

Description of fault	Cause of error	Troubleshooting
Stereo microscope illumination cannot be switched ON.	Power supply interrupted. Power switch not switched ON	Check or establish connection to power supply. Switch power switch on back of stereo microscope ON.
	Power unit faulty.	Replacing the power unit, see section 5.2 on page 38
Vertical reflected-light illumination is not lit.	Power supply cable RJ-12 not plugged in.	Insert RJ plug correctly, see section 3.2 or 3.3 on pages 24 and 26
Additional reflected-light illuminators are not lit.	Power supply cable RJ-12 not plugged in. Reflected light not switched ON or dimmed.	Insert RJ plug correctly, see section 3.2 or 3.3 on pages 24 and 26 Press and turn knob Fig. 20/1 several times to switch reflected light ON and to increase its intensity; see section 4.2 on page 31
Transmitted-light illuminator does not light up	Transmitted light not switched ON or dimmed.	Press and turn rotary / push-button Fig. 25/2 to switch illumination ON and to increase its intensity; see section 4.3 on page 35
	Transmitted light not connected.	Open stand K EDU or K LAB and connect the plug-in connectors of the LED illumination according to section 5.2.3 on page 40
Transmitted-light illuminator dirty or control lever cannot be actuated.	Liquids or foreign matter in the transmitted-light unit.	Open and clean stand K EDU or K LAB and eliminate foreign matter according to section 5.2.3 on page 40
Microscope mount moves down by itself.	Focusing drive too easy to move.	Set ease of motion of the focusing drive, see section 3.2 on page 24

Should any other faults occur or should you have queries regarding troubleshooting, please contact your regional ZEISS representative.

6.3 List of accessories

Microscope Sets

- Microscope sets
- Stemi 305 EDU Microscope Set
 - Stemi 305 LAB Microscope Set
 - Stemi 305 MAT Microscope Set

Microscope bodies

- Microscope bodies
- Stemi 305 Body
 - Stemi 305 trino Body
 - Stemi 305 ESD Body

- for stand-alone use of Stemi 305 bodies
(optional)
- Controller K LED

Changeable Front optics

- Front optics
- Front Optics 3 0.5x FWD 185mm
 - Front Optics 3 0.75x FWD 128mm
 - Front Optics 3 1.5x FWD 56mm
 - Front Optics 3 2.0x FWD 43mm

- dust protection glass
- Dust Protection Glass M52/M49

- Pol analyzer
- Analyzer M49/52 rotatable

Eyepieces, eyecups, micrometers

- Eyepieces
- Eyepiece 16x/14 Br foc
 - Eyepiece PI 16x/16 Br foc
 - Eyepiece W 25x/10 Focusing w/ Eyecup

- Eyepieces with reticles
- Eyepiece PI 10x/23 Br foc w/micrometer for Stemi305/508
 - Eyepiece PI 10x/23 Br foc w/crossline for Stemi305/508
 - PI 16x/14 Br foc w/micrometer for Stemi305/508

- Eyecup
- Folding Eyecup

- Stage micrometers
- Stage Micrometer 25+50/10, f/Stemis
 - Stage Micrometer, 25+50/10, calibrated

Stands K/M/N and accessories

- LED stand
- Stand K MAT
 - Stand K EDU
 - Stand K LAB

- Mechanic stands w/o LEDs
- Stand K
 - Stand M
 - Stand N with Column 32/450 mm
- needed for stand N
- Stemi Mount Column 32 with Drive

Illuminators for LED Stands K/M

- Illuminators K LED
- Spot Illuminator K LED
 - Double Spot Illuminator K LED
 - Ring Illuminator K LED segmentable
- for spot/double spot K LED (optional)
- Polarizer Spot K LED
- for stand-alone use of ring light K LED
- Controller K LED

Stages d=84 mm for stands K/M/N

- Stage
- Gliding Stage f/ Stemis
 - Stage Ball & Socket f/ Stemis
 - Rotating Stage Stemi
- for rotating stage
- Polarizer S f/ Stage 455120
 - Lambda Plate in Slider

6.5 List of illustrations

Fig. 1	Warning and information labels on the device	10
Fig. 2	Warning labels and apertures for LED radiation.....	10
Fig. 3	Controls and functional elements.....	14
Fig. 4	Stemi 305 EDU microscope set	15
Fig. 5	Stemi 305 LAB microscope set	15
Fig. 6	Stemi 305 MAT microscope set.....	15
Fig. 7	Interfaces on the Stemi 305 with stand K LED (schematic diagram)	16
Fig. 8	Front optics, Stemi 305 (example)	16
Fig. 9	Removing caps	24
Fig. 10	Installing the stereo microscope.....	25
Fig. 11	Setting the ease of motion of the focusing drive	25
Fig. 12	Mounting spot illuminator	26
Fig. 13	Mounting ring illuminator on microscope body	27
Fig. 14	Mounting ring illuminator to front optics 3	27
Fig. 15	Mounting external fiber-optic illumination	28
Fig. 16	Inserting the eyepiece plate	28
Fig. 17	Connecting the stereo microscope	29
Fig. 18	Adjusting the stereo microscope	30
Fig. 19	Adjusting the eyepieces	30
Fig. 20	Setting the vertical illuminator	31
Fig. 21	Setting the spot illuminator.....	32
Fig. 22	Double spot illuminator	32
Fig. 23	Ring illuminator	33
Fig. 24	Controller K LED	34
Fig. 25	Transmitted-light module in stand K EDU.....	35
Fig. 26	Transmitted-light unit in stand K LAB.....	36
Fig. 27	Changing the power unit.....	38
Fig. 28	Opening the stand cover plate, stand K EDU.....	39
Fig. 29	Opening the stand cover plate, stand K LAB.....	40

6.6 Revision History

Revision	Date of Issue	Introduced Modifications
2	05/2022	Implementation of revision history Update of directives Update of applicable additional operating manuals Adaptation to Regulation (EU) 2017/746 (IVDR)

6.7 Index**A**

Adjusting the stereo microscope.....	30
Ambient Conditions.....	22
Ambient temperature.....	22
Apertures for LED radiation.....	10

B

Bright field.....	35
-------------------	----

C

Care.....	37
Compensation of visual defect.....	30
Connecting.....	29
Contents.....	3
Controller K LED.....	34
Controls.....	14

D

Dark field.....	35
Description.....	13
Dimensions.....	21
Diopter compensation.....	30
Double spot illuminator.....	26

E

Ease of motion of the focusing drive.....	25
Eyepiece.....	30
Eyepiece cup.....	28
Eyepiece plate.....	28

F

Fiber-optic illumination.....	28
Front optics 3.....	27

I

Illumination intensity.....	32, 33
Illumination state of the ring illuminator.....	33
Index.....	50
Information, general.....	5, 24
Installation.....	24
Instrument safety.....	6
Intended purpose.....	13
Interfaces.....	16
Introduction.....	5

L

LED class.....	7
----------------	---

M

Maintenance.....	38
Mixed light.....	31

O

Operation.....	30
----------------	----

P

Product disposal.....	42
Protection ring for spectacles.....	28

R

Reflected-light illumination.....	26
Ring illuminator.....	27

S

Safety.....	6
Service.....	41
Setting reflected-light illumination.....	31
Setting transmitted-light illumination.....	35
Spot illuminator.....	26
Switching OFF.....	29
Switching ON.....	29
Swivel arm stand.....	34
Symbols.....	5
System overview.....	17

T

Technical data.....	21
Transmitted-light module in stand K EDU.....	35
Transmitted-light unit in stand K LAB.....	36
Troubleshooting.....	44

V

Vertical illumination.....	31
----------------------------	----

W

Warning labels.....	10
Warranty notes.....	12
Wearing parts.....	41
Weight.....	21